



LEVITON

**Applications Cookbook
National Accounts: Hospitality**

Version 1.0

FOR REFERENCE ONLY

NATIONAL ACCOUNTS: HOSPITALITY COOKBOOK NOTES



1. Refer to manufacturer's data sheets and installation instructions prior to installation
2. Line feed 120/230/277 VAC, 60 Hz
3. Ground not shown, ground devices per applicable national and local codes are best practices
4. For emergency power situations, illustrations assume transfer switch by others upstream of shown devices
5. Line voltage load not to exceed contact rating per device specifications
6. Power packs receiving separate feeds for switched loads and self power must have both feeds on the same phase
7. All low voltage devices consume current. Device power budget is estimated for these details—additional power sources may be required. See product literature for power specifications
8. Maximum run length for analog wiring is 1000' @ #18 AWC
9. Sensors wired in parallel will cause line voltage relay closure when occupancy is detected by any unit
10. Devices in series requiring contact closure from a single device (clock input, demand response, emergency, etc.) must follow these wiring conventions:
 - First device in sequence provides the +V to the triggering relay
 - Signal from closure attached to all devices in sequence input
 - Com from first device in sequence attached to com on all devices in sequence
11. Ultrasonic ceiling mount sensors should be located a minimum of six (6) feet from HVAC supply/return vents
12. Trough-mounted and pendant-mounted indirect lighting sources affect the operation of locally mounted sensors. Contractor is responsible for adjusting sensor locations to allow for proper operation

13. Contractor is responsible for proper sensitivity and time delay settings for non-adaptive products, following the manufacturer's recommended placement, and field verification of circuits with respect to power pack placement
14. Contractor is responsible for coordinating the operational options of sensors and power packs with the specific work requirements
 - Work relevant energy code requirements affect circuits to be controlled and their control characteristics
 - One power pack is required for each controlled circuit
 - Refer to power pack data sheet for power output and installation guide for maximum number of sensors connected to a power pack
 - If multiple circuits are to be controlled by a sensor, auxiliary relays may be used in conjunction with a power pack
15. Ceiling sensors mounted over doorways should be placed one (1) foot inside the threshold
16. Up to 100 Mark VII style ballasts may be controlled per daylighting zone by IRC
17. All relays shown in de-energized state
18. Individually cap off unused leads
19. One-line parenthesis use:
 - (X) Function
 - [#] Terminal
20. Plug load control—commercial receptacle P/Ns:
 - STANDARD DUPLEX:
 - Split control (1 outlet) CR015-1Px, CR020-1Px
 - Full control (2 outlets) CR015-2Px, CR020-2Px
 - DECORA®:
 - Split control (1 outlet) 16252-1Px, 16352-1Px
 - Full control (2 outlets) 16252-2Px, 16352-2Px

ABBREVIATIONS:

LC	LumaCAN
LV	Low voltage
HV	High voltage switch (maintained)
LVM	Low voltage switch (momentary) Equal to Leviton 1081 (toggle) OR Leviton 56081 (Decora)
LVT	Low voltage switch (maintained) Equal to Leviton 12021-2 (toggle) or Leviton 56021-2 (Decora)
LV2	IRC low voltage switch
UON	Unless otherwise noted
BLK	Black
WHT	White
BLU	Blue
YEL	Yellow
ORG	Orange
VIO	Violet
BRN	Brown

SYMBOLS:



No Connection



Connection



Devices wired in parallel

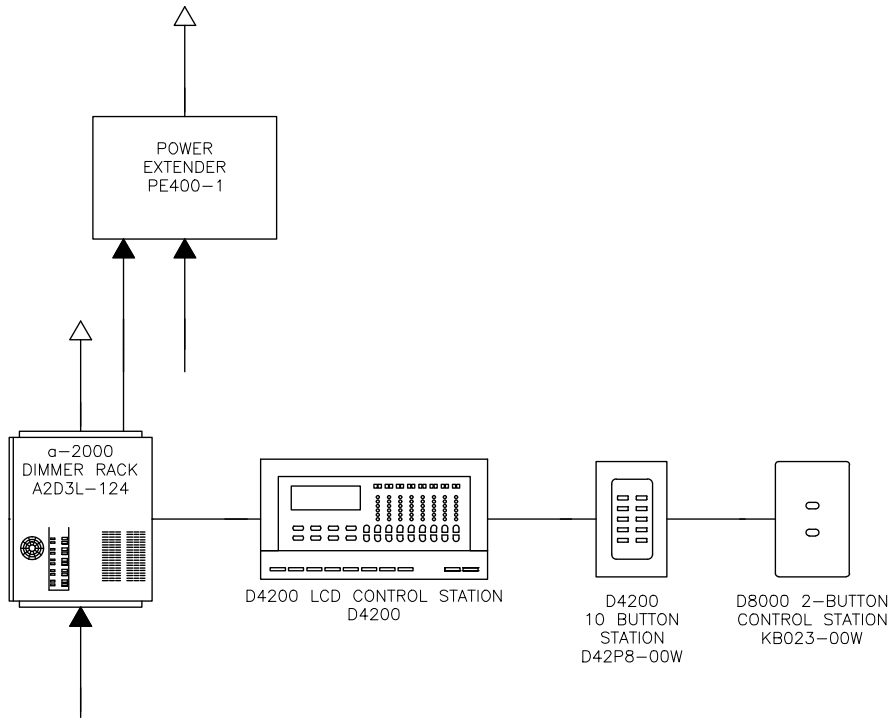
TABLE OF CONTENTS



PAGE	DESCRIPTION
4	a2000, D4200, Power Extender
5	D4206, D4200, Combine Stations, Power Packs, Power Extenders
6	D4206, Contact Closure, 8 Button Station
7	D4104, Power Extender
8	GreenMAX, Sapphire, DDS 6000 Satellite Dimmer Pack
9	GreenMAX, DDS 6000 Satellite Dimmer Packs, Photocells, Occupancy Sensors, Power Extender
10	Structured Media Enclosure, 6 Channel Universal Switch Interface Module, Hospitality Thermostat
11	GreenMAX, LumaCAN Repeater, EZ-MAX
12	D4206, D4006, Power Extenders, 5 Button Station
13	D4006, D4106, D4200, Room Combine Station, 8 Button Stations, Power Extenders
14	D4006, D4206, 8 Button Stations, Power Extenders
15	D4006, D4200, D4106, Contact Closure, Room Combine Stations, Occupancy Sensors, Power Extenders, Power Packs
16	D4006, D4200, D4106, Room Combine Stations, Occupancy Sensors, Power Extenders
17	D4006, D4200, IRC, DDS 6000 Satellite Dimmer Pack, Signal Processing Rack, Photocells, Power Extenders
18	GreenMAX, D4006, D4200, D4206, Photocells, Occupancy Sensors, Power Extenders, Power Packs
19	EZ-MAX, D4006, D4206, 2 and 8 Button Stations, Power Extenders
20	D4006, D4200, Power Extenders
21	IRC, D4006, D4200, Signal Processing Rack, Photocells, Occupancy Sensors, Power Extenders, Power Packs
22	D4006, D4200, D4106, Room Combine Stations, 8 Button Stations, Power Extenders
23	D4006, D4206, 8 Button Station, Power Extenders, Power Module
24	D4006, D4206, D4106, D4104, Room Combine Station, 8 Button Stations, Power Extenders
25	a2000, D4200, Occupancy Sensors, Power Supply, Power Extenders
26	D4006, D4206, 8 Button Station, Power Extenders

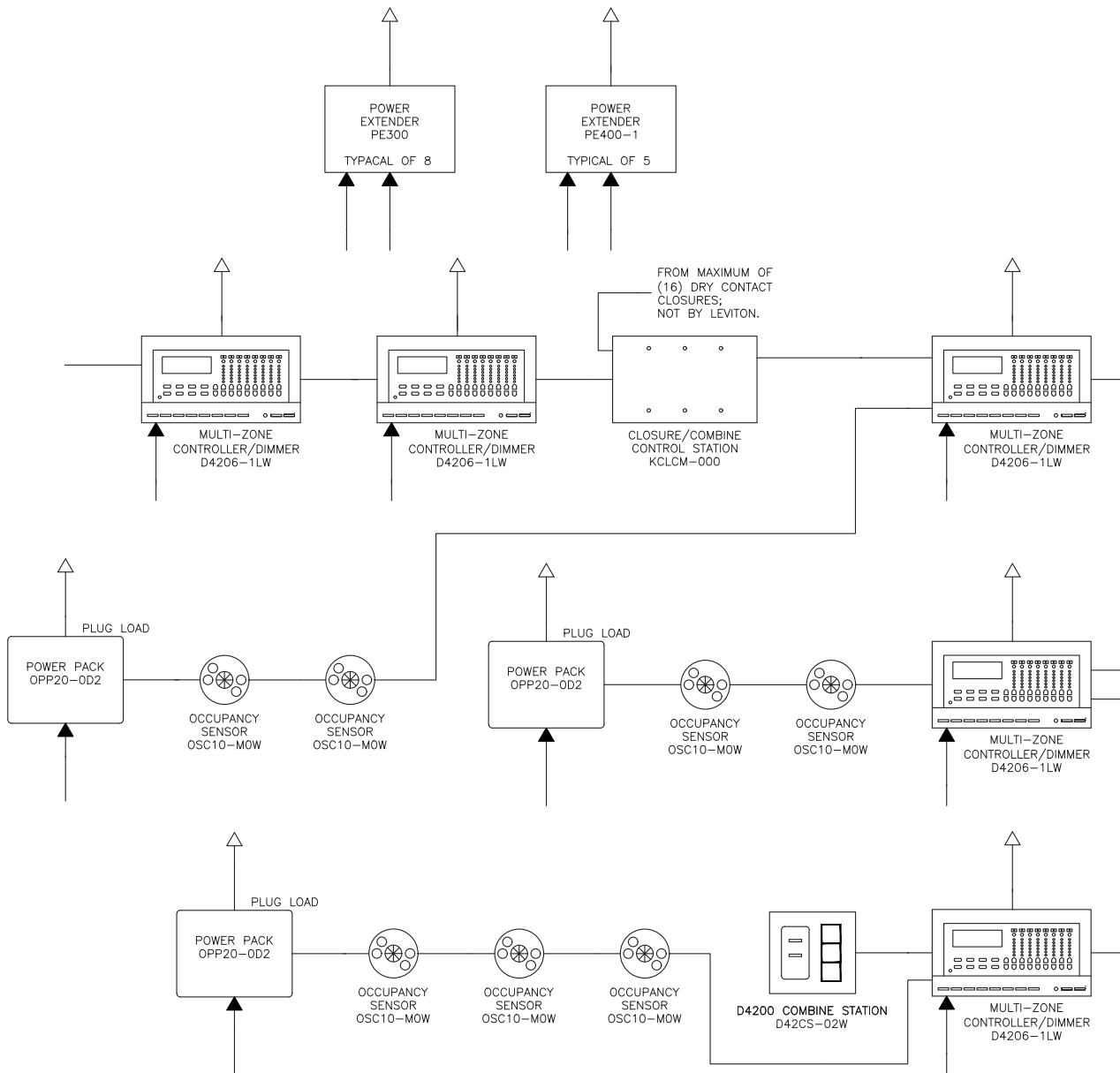
a2000, D4200, POWER EXTENDER

Architectural Lighting Control



D4206, D4200, COMBINE STATIONS, POWER PACKS, POWER EXTENDERS

Combinable Meeting Room Control with Receptacle Control



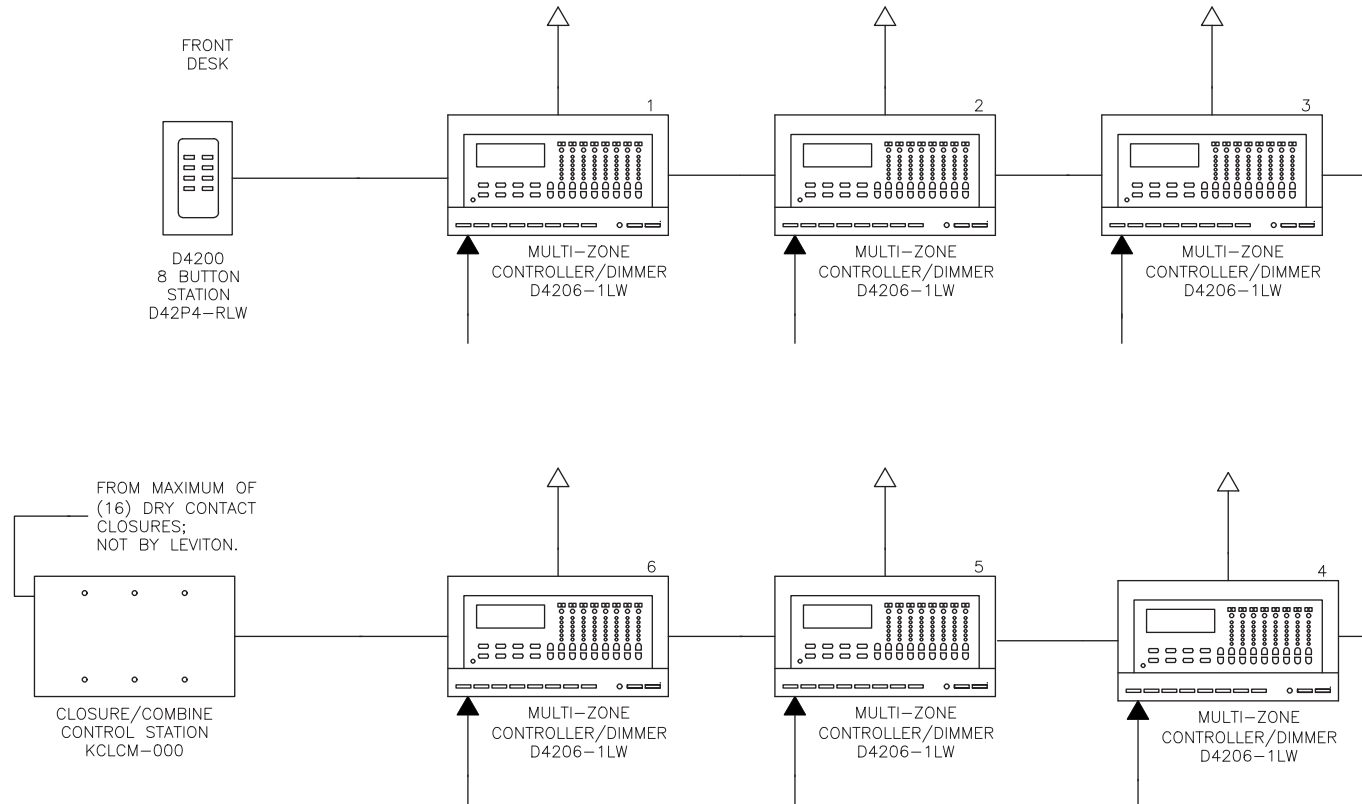
D4206, CONTACT CLOSURE, 8 BUTTON STATION

Guest Area Zone and Preset Control, Time-Based



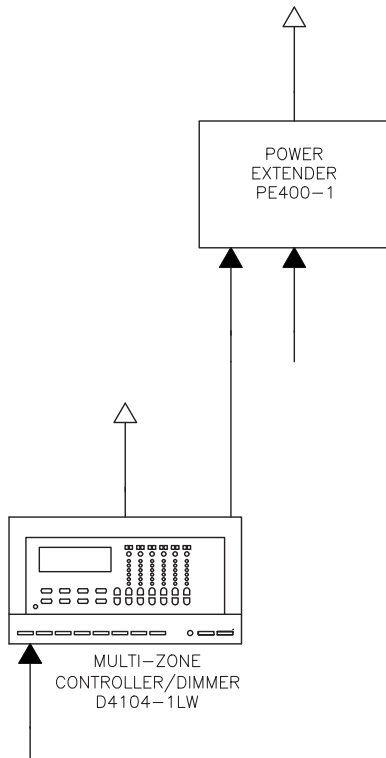
BUILDING C
LOBBY AREA

OFFICE



D4104, POWER EXTENDER

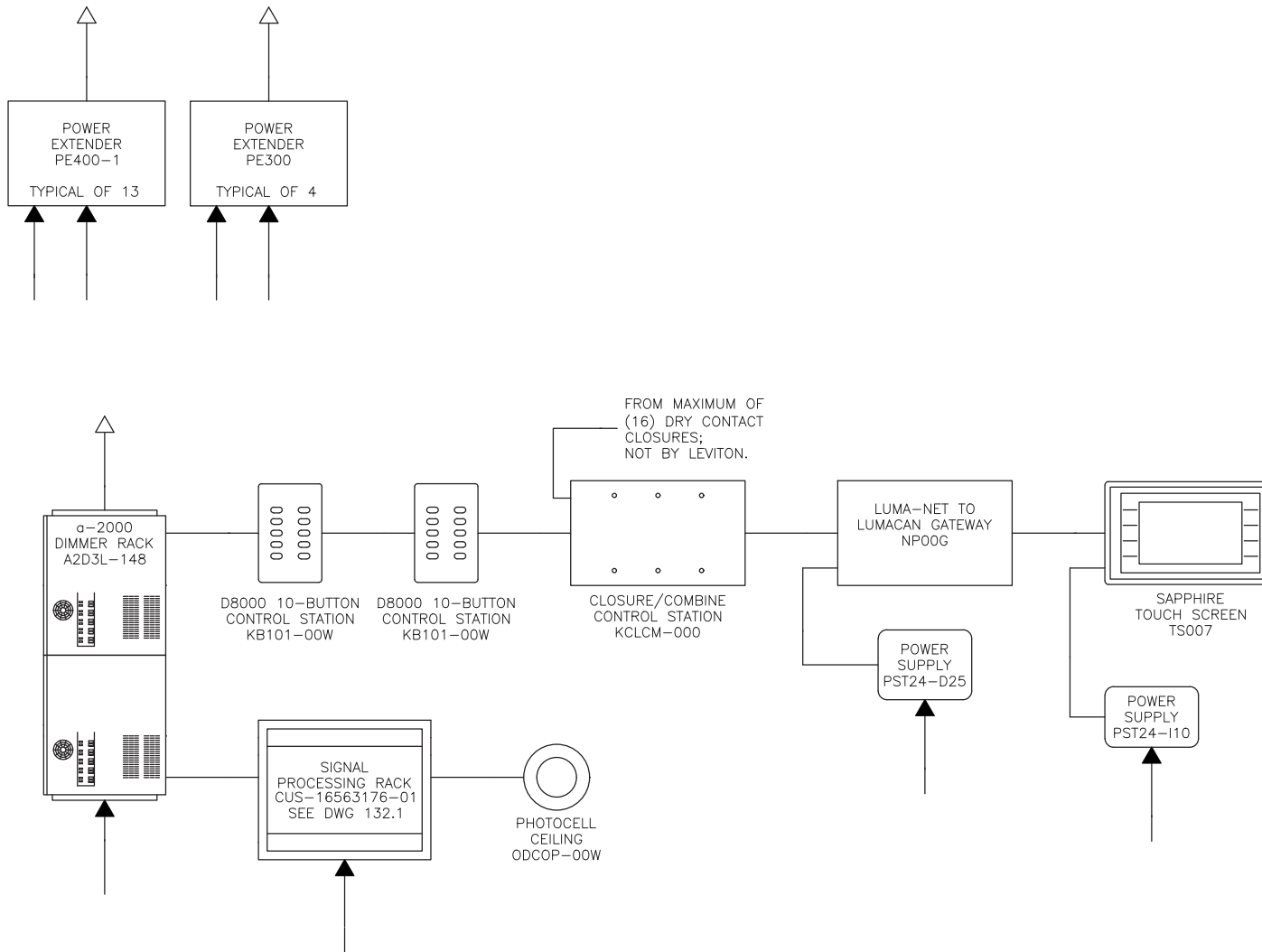
Standalone Meeting Room Control



GREENMAX, SAPPHIRE, DDS 6000 SATELLITE DIMMER PACK

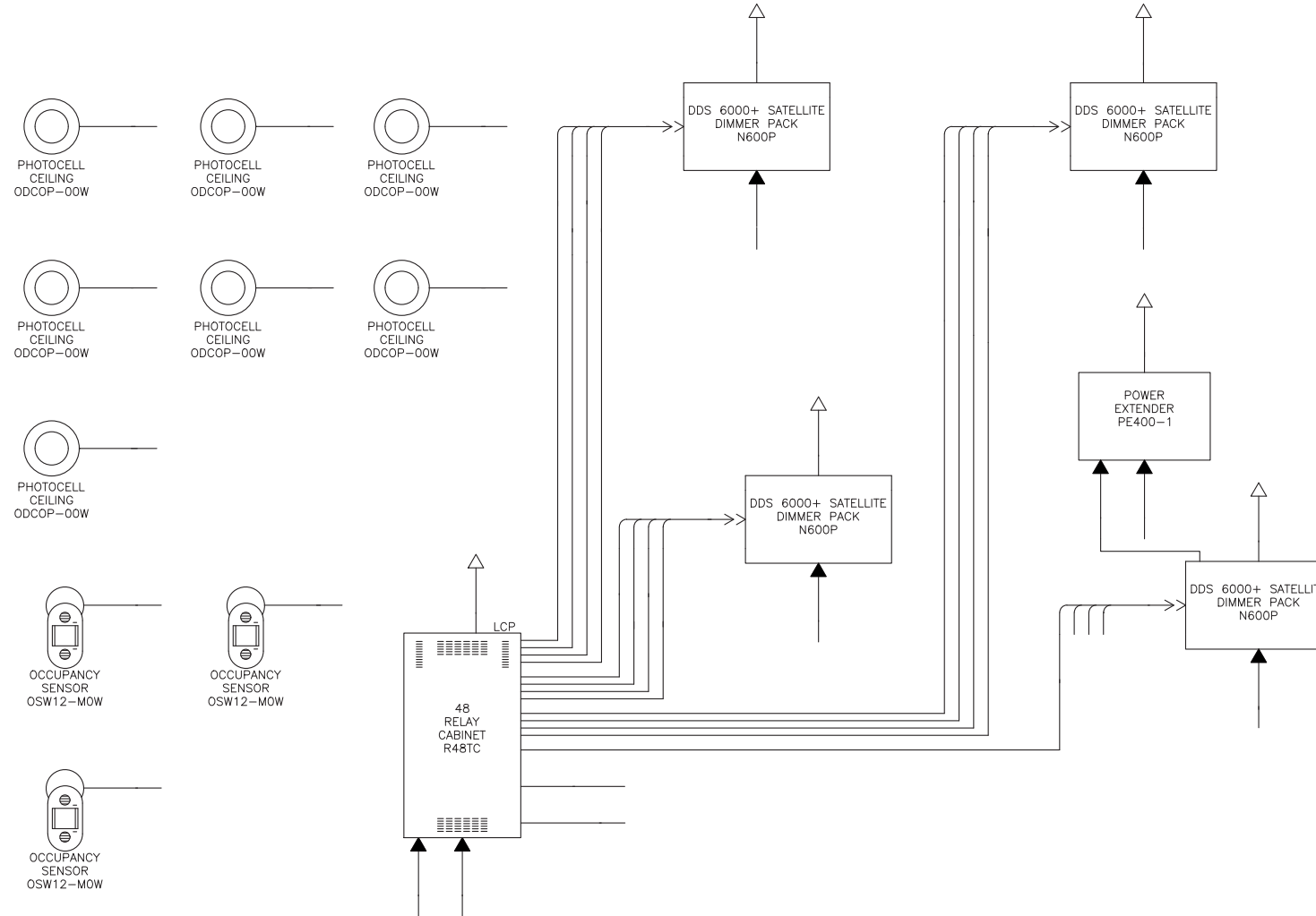


Preset-Based Guest Area Control with Daylighting



GREENMAX, DDS 6000 SATELLITE DIMMER PACKS, PHOTOCELLS, OCCUPANCY SENSORS, POWER EXTENDER

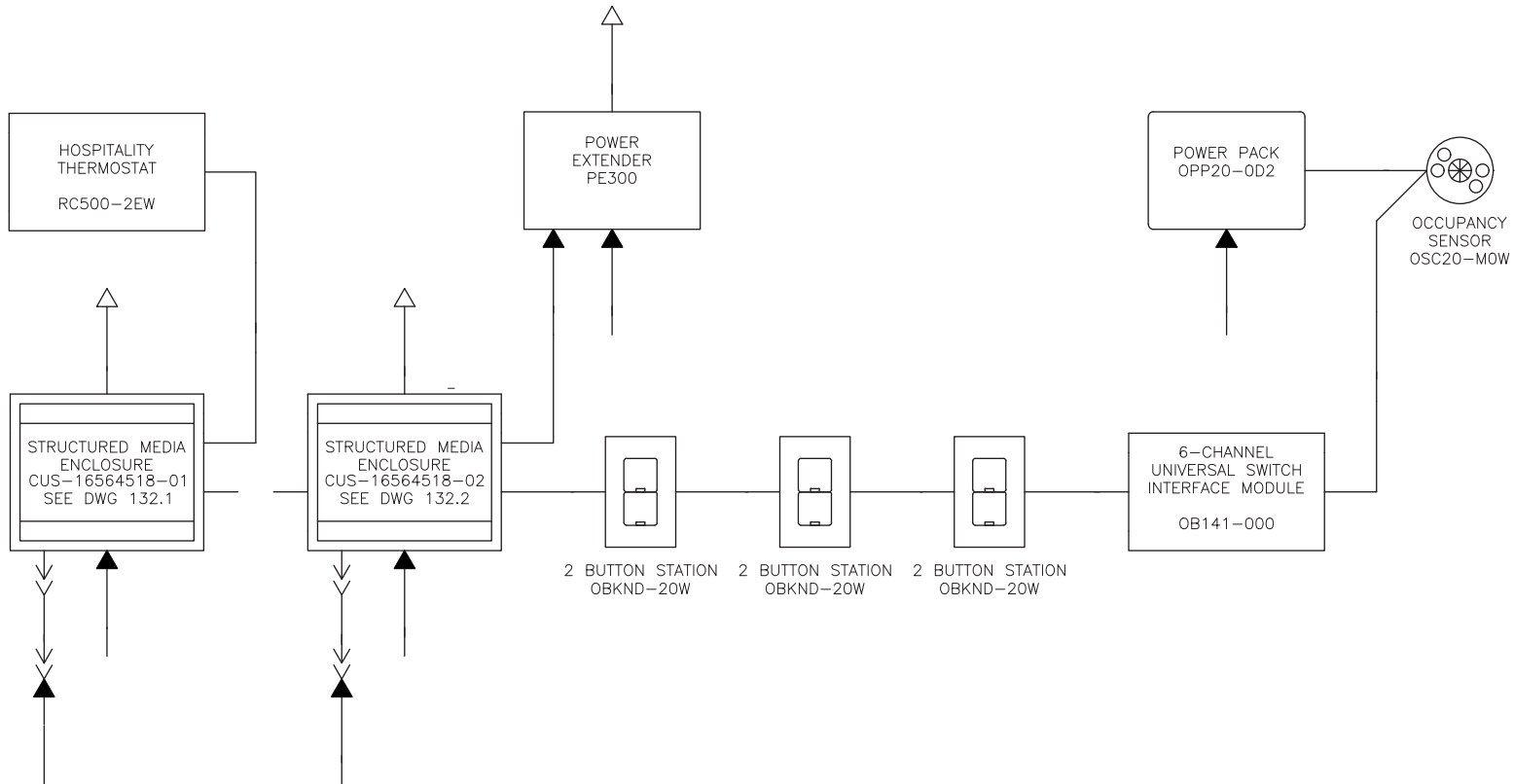
Guest Area Control - Pool, Exercise Room, Corridors



STRUCTURED MEDIA ENCLOSURE, 6 CHANNEL UNIVERSAL SWITCH INTERFACE MODULE, HOSPITALITY THERMOSTAT

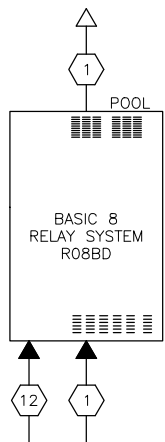
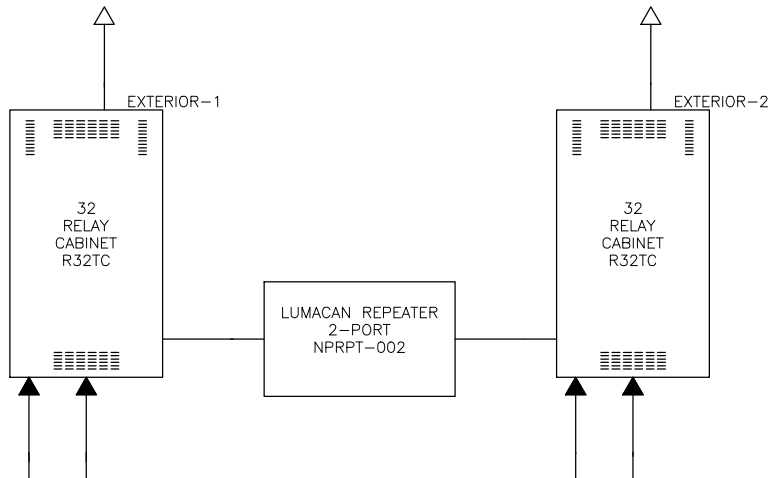


High-End Specialized Guest Room Control



GREENMAX, LUMACAN REPEATER, EZ-MAX

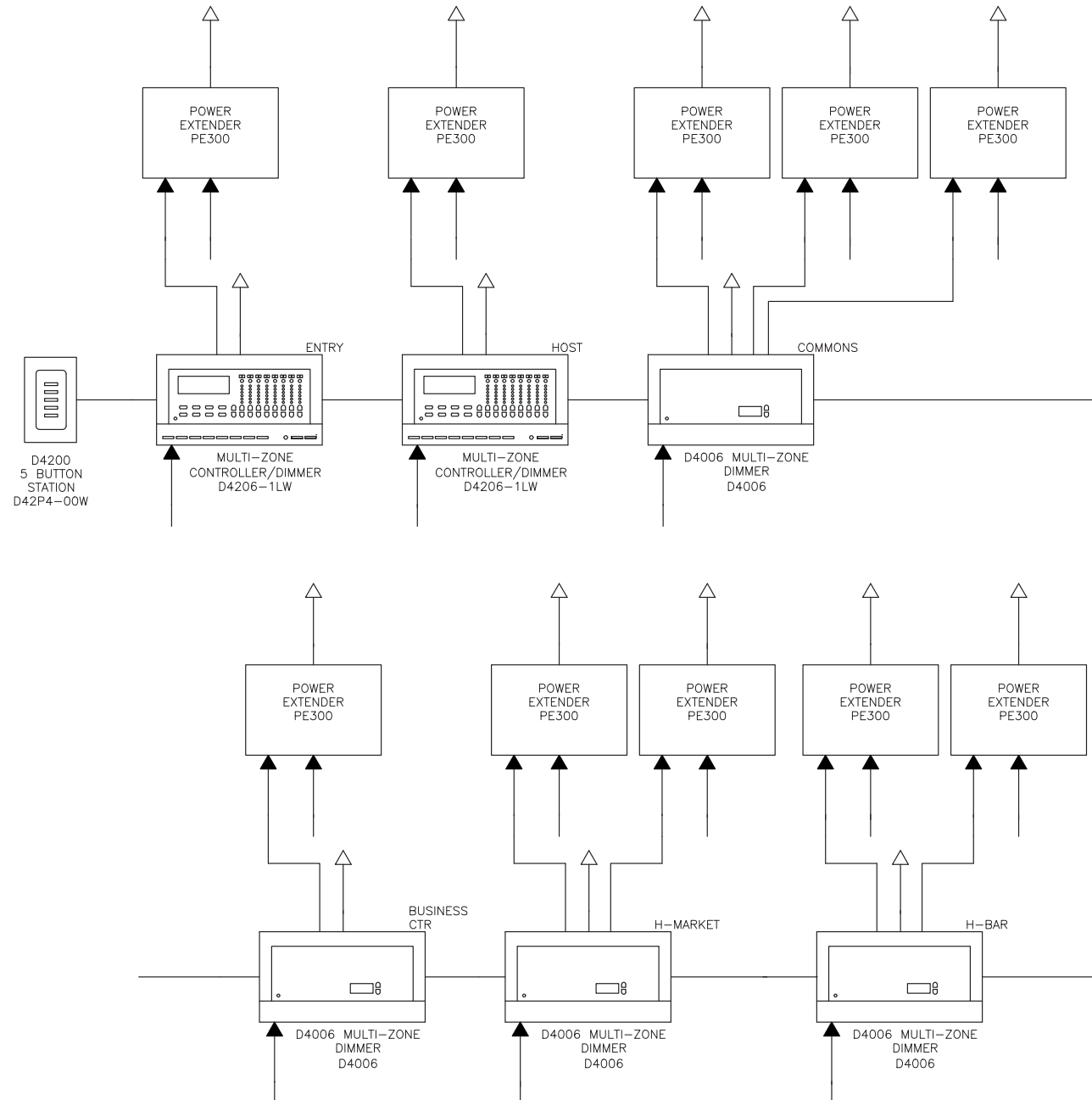
Parking Garage and Exterior Lighting Control



D4206, D4006, POWER EXTENDERS, 5 BUTTON STATION



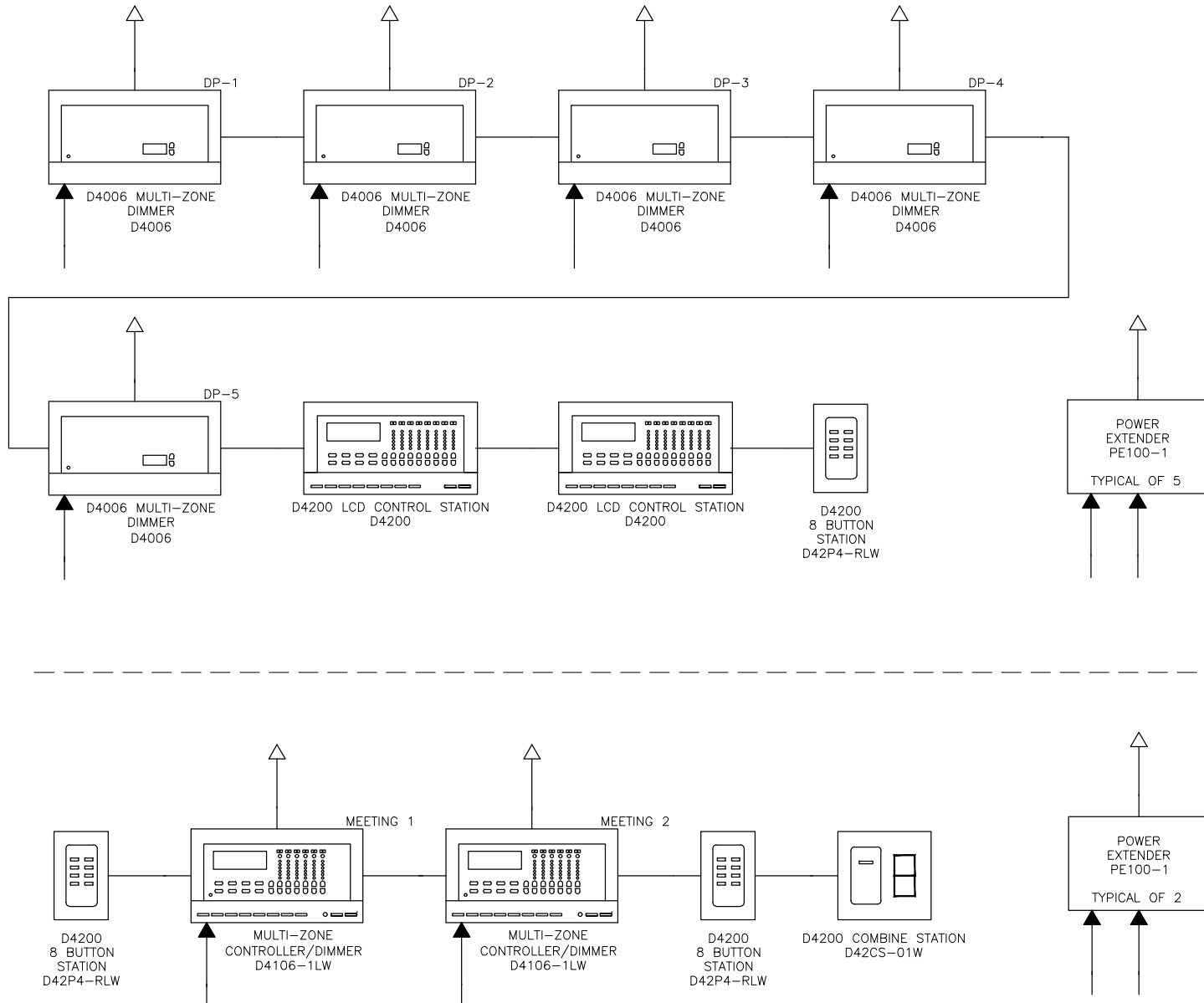
Preset-Based Guest Area Control



D4006, D4106, D4200, ROOM COMBINE STATION, 8 BUTTON STATIONS, POWER EXTENDERS



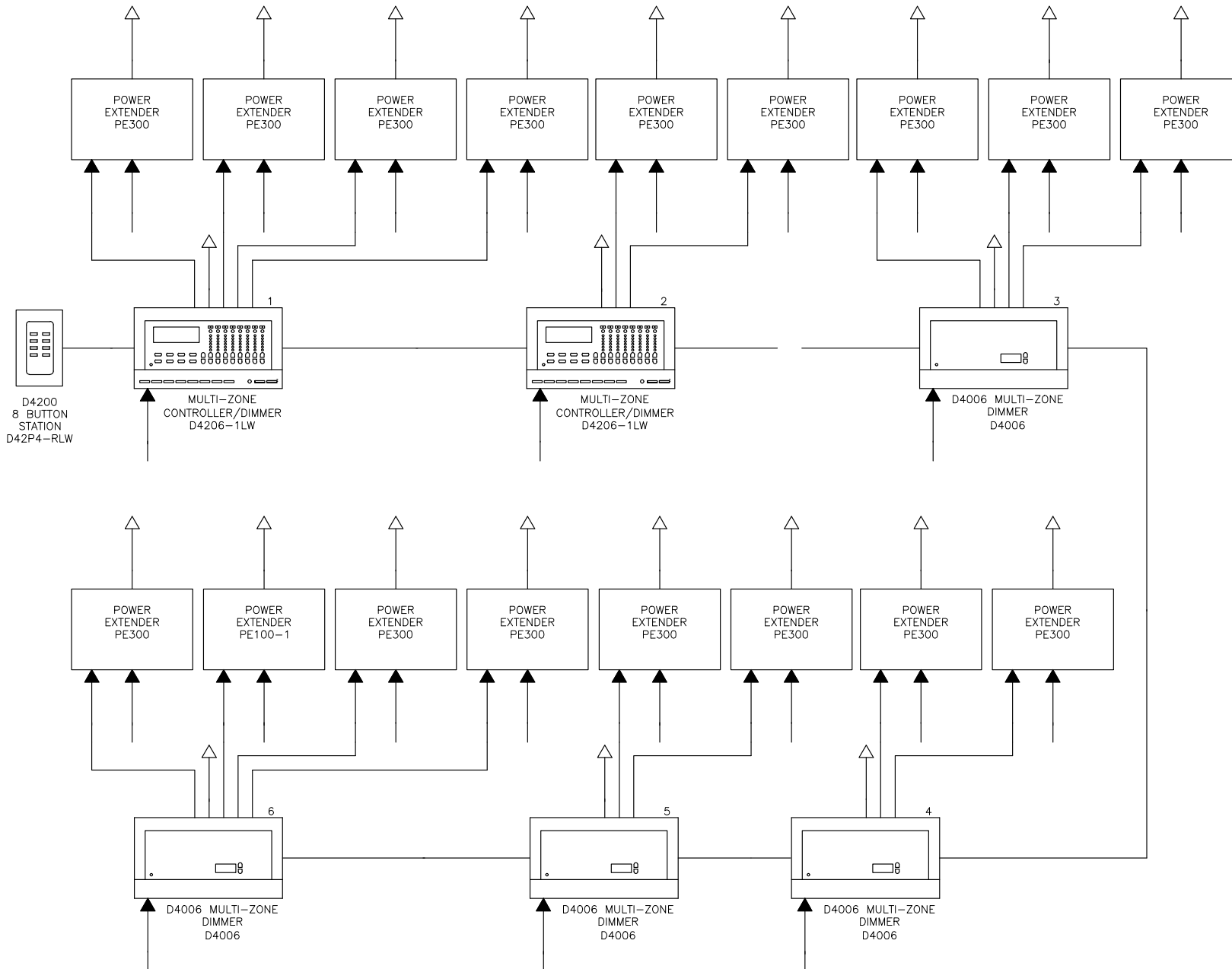
Preset-Based Guest Area Control and Combinable Meeting Room Control



D4006, D4206, 8 BUTTON STATIONS, POWER EXTENDERS



Preset-Based Guest Area Control

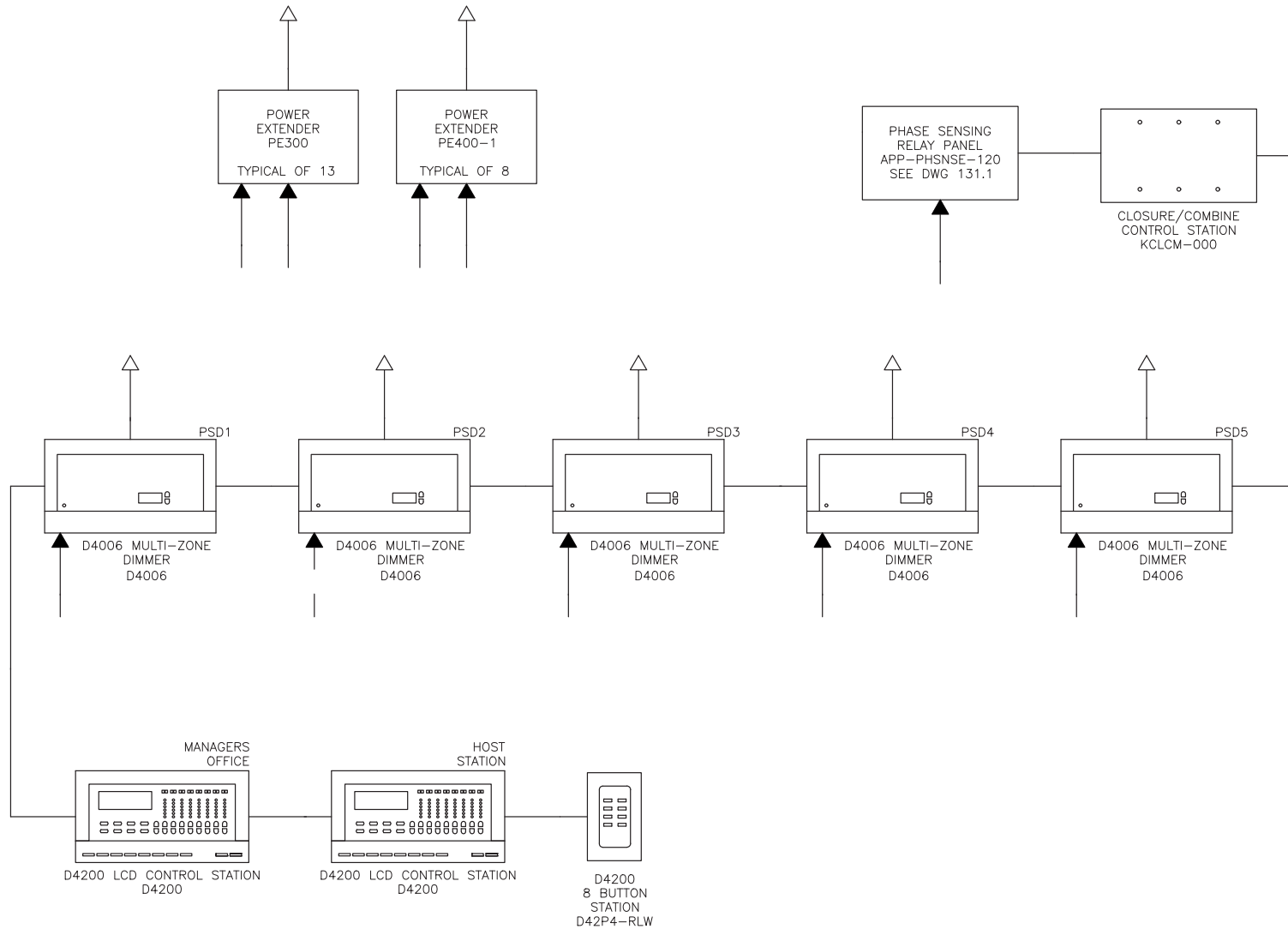


D4006, D4200, D4106, CONTACT CLOSURE, ROOM COMBINE STATIONS, OCCUPANCY SENSORS, POWER EXTENDERS, POWER PACKS



Preset-Based Guest Area Control

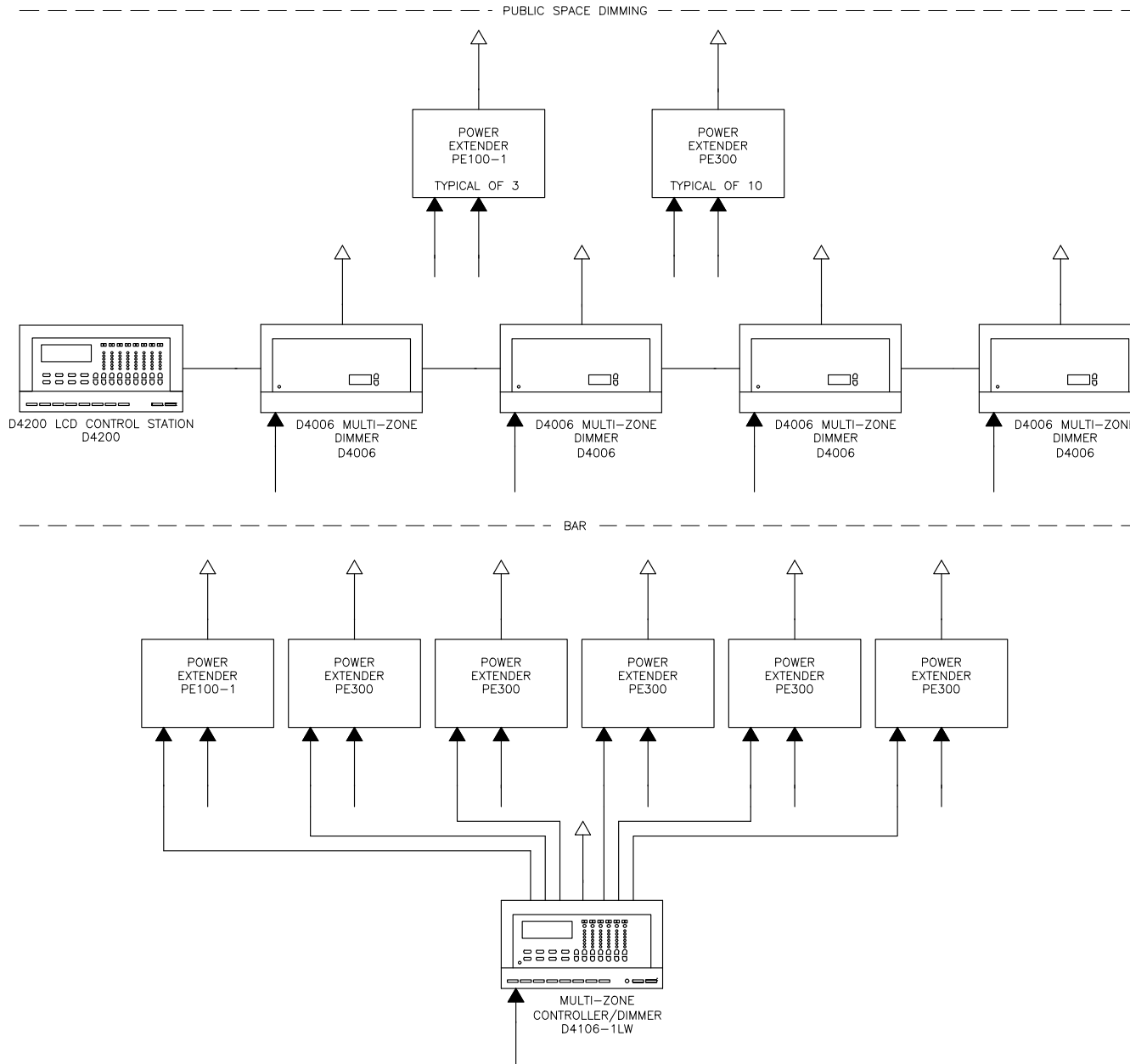
--- PUBLIC SPACE DINING ---



D4006, D4200, D4106, ROOM COMBINE STATIONS, OCCUPANCY SENSORS, POWER EXTENDERS



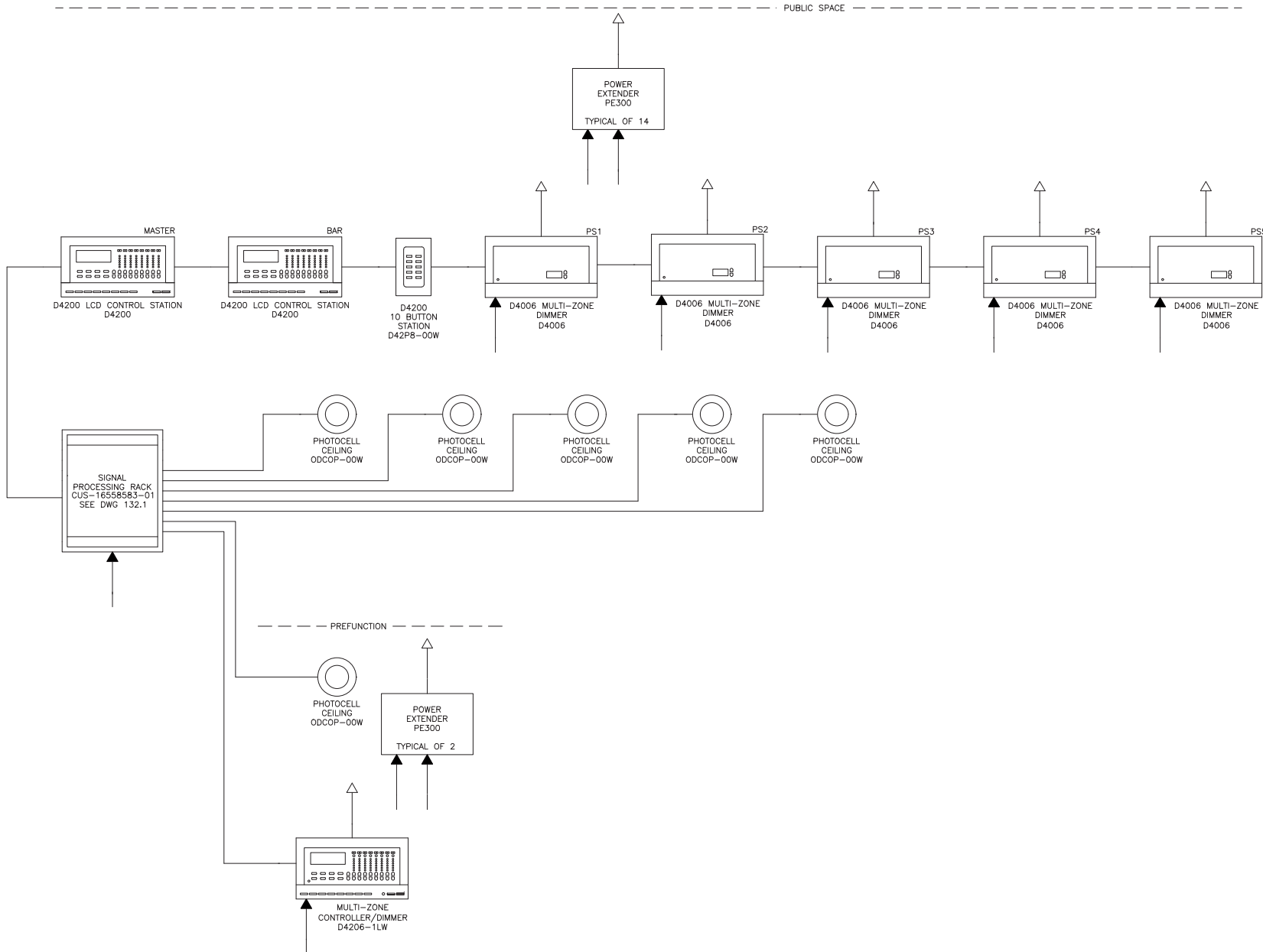
Preset-Based Guest Area Control



D4006, D4200, IRC, DDS 6000 SATELLITE DIMMER PACK, SIGNAL PROCESSING RACK, PHOTOCELLS, POWER EXTENDERS



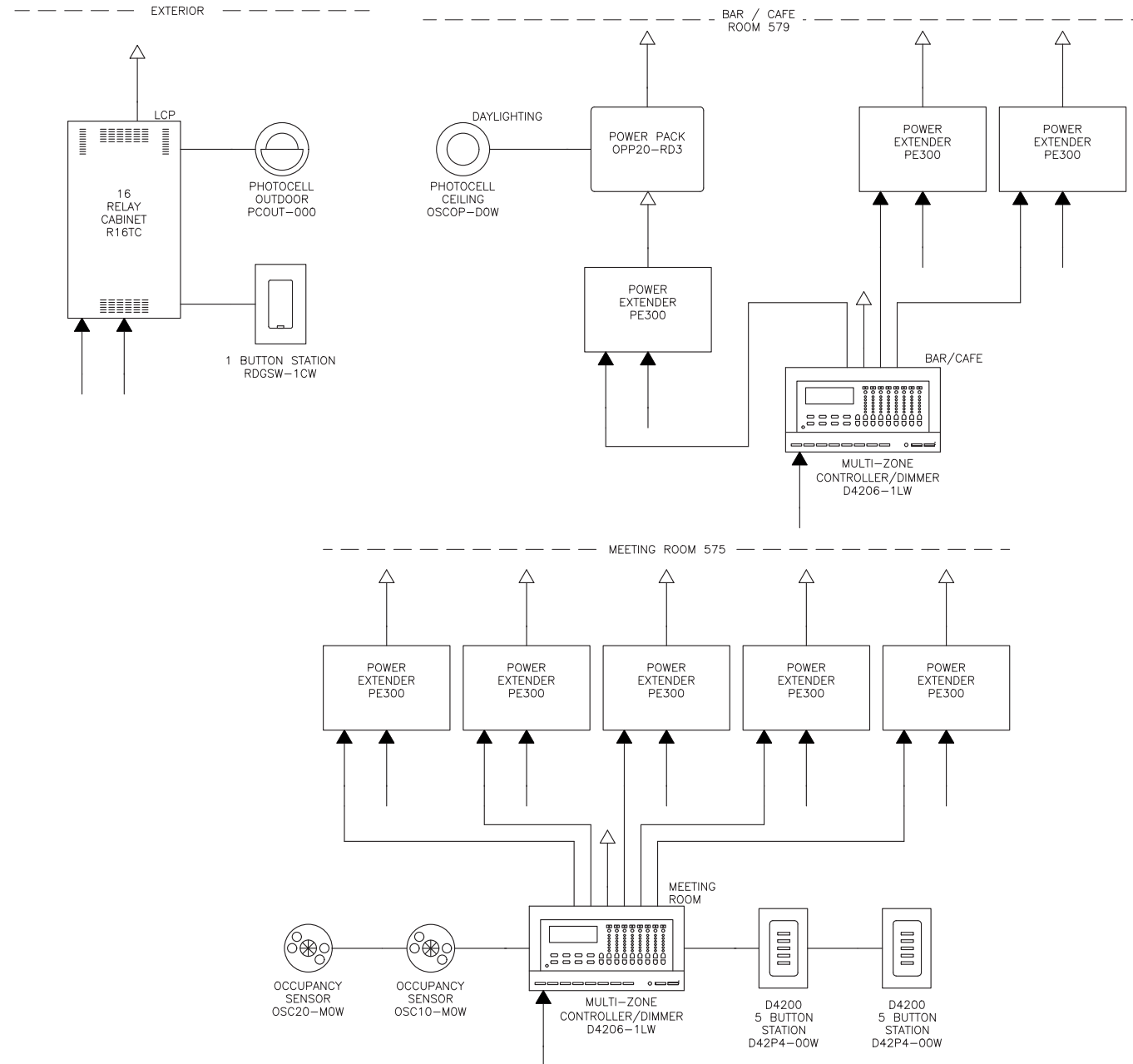
Preset-Based Guest Area Control with Daylighting



GREENMAX, D4006, D4200, D4206, PHOTOCELLS, OCCUPANCY SENSORS, POWER EXTENDERS, POWER PACKS



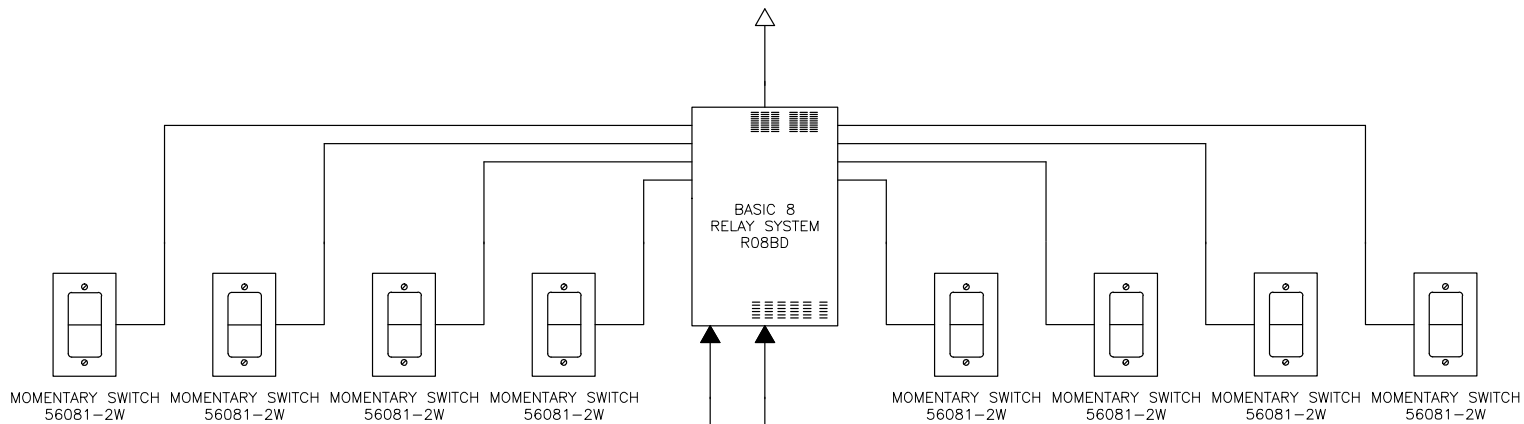
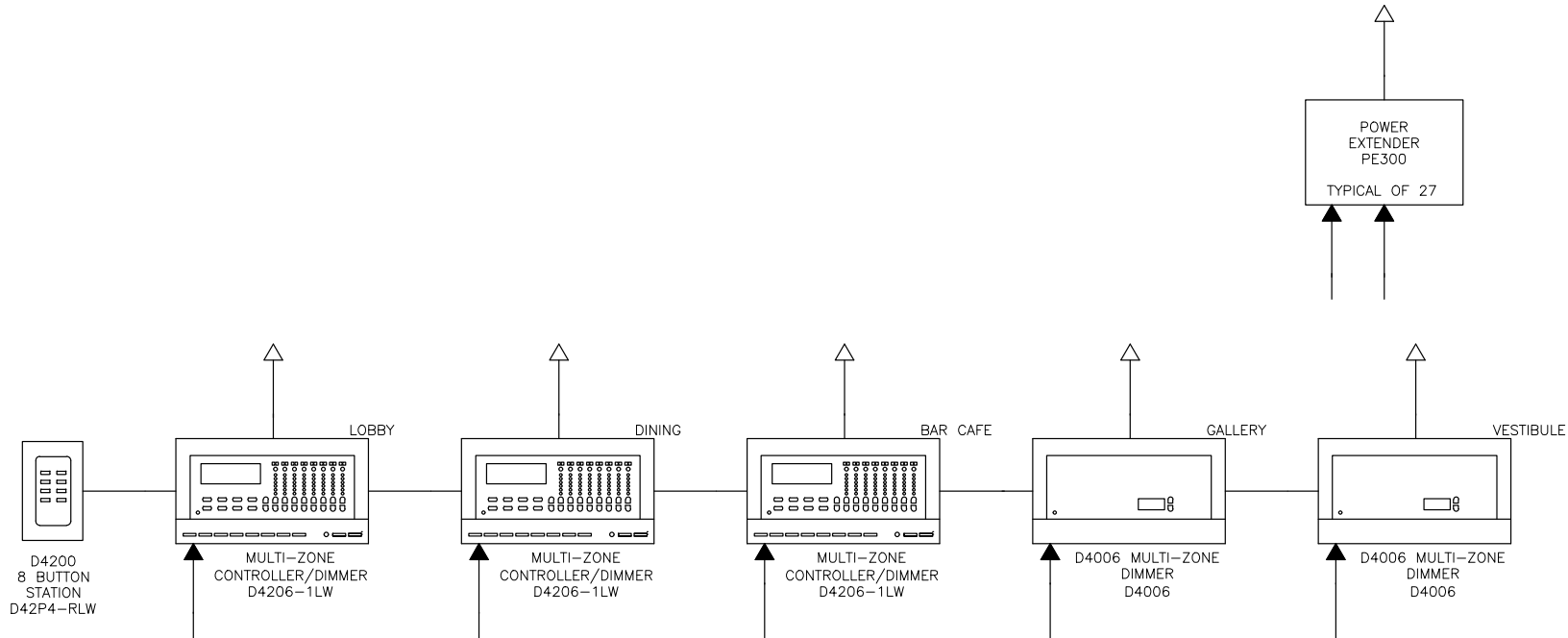
Separately Controlled Preset-Based Guest Area, Meeting Rooms & Exterior Control



EZ-MAX, D4006, D4206, 2 AND 8 BUTTON STATIONS, POWER EXTENDERS

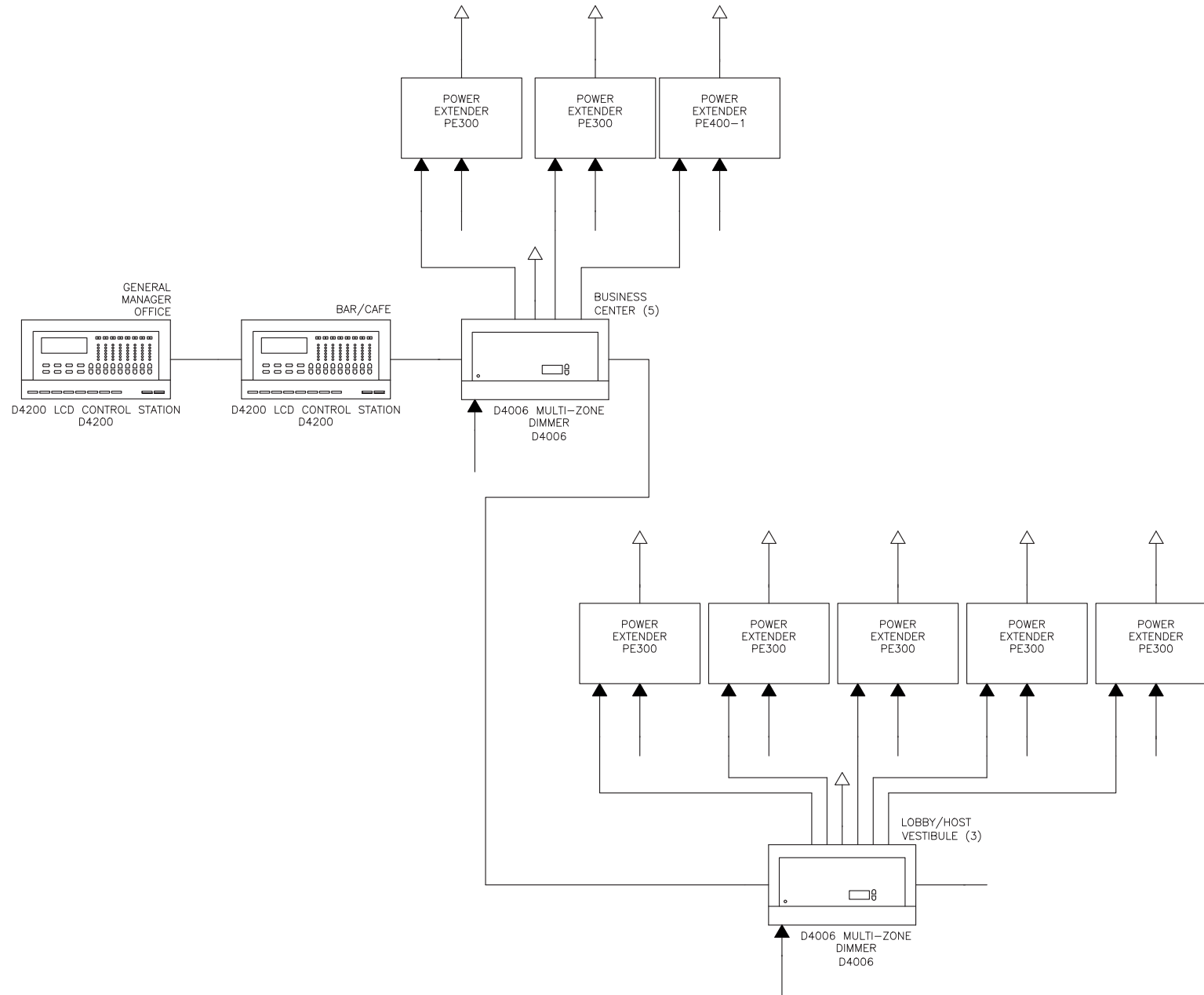


Preset-Based Guest Area Control



D4006, D4200, POWER EXTENDERS

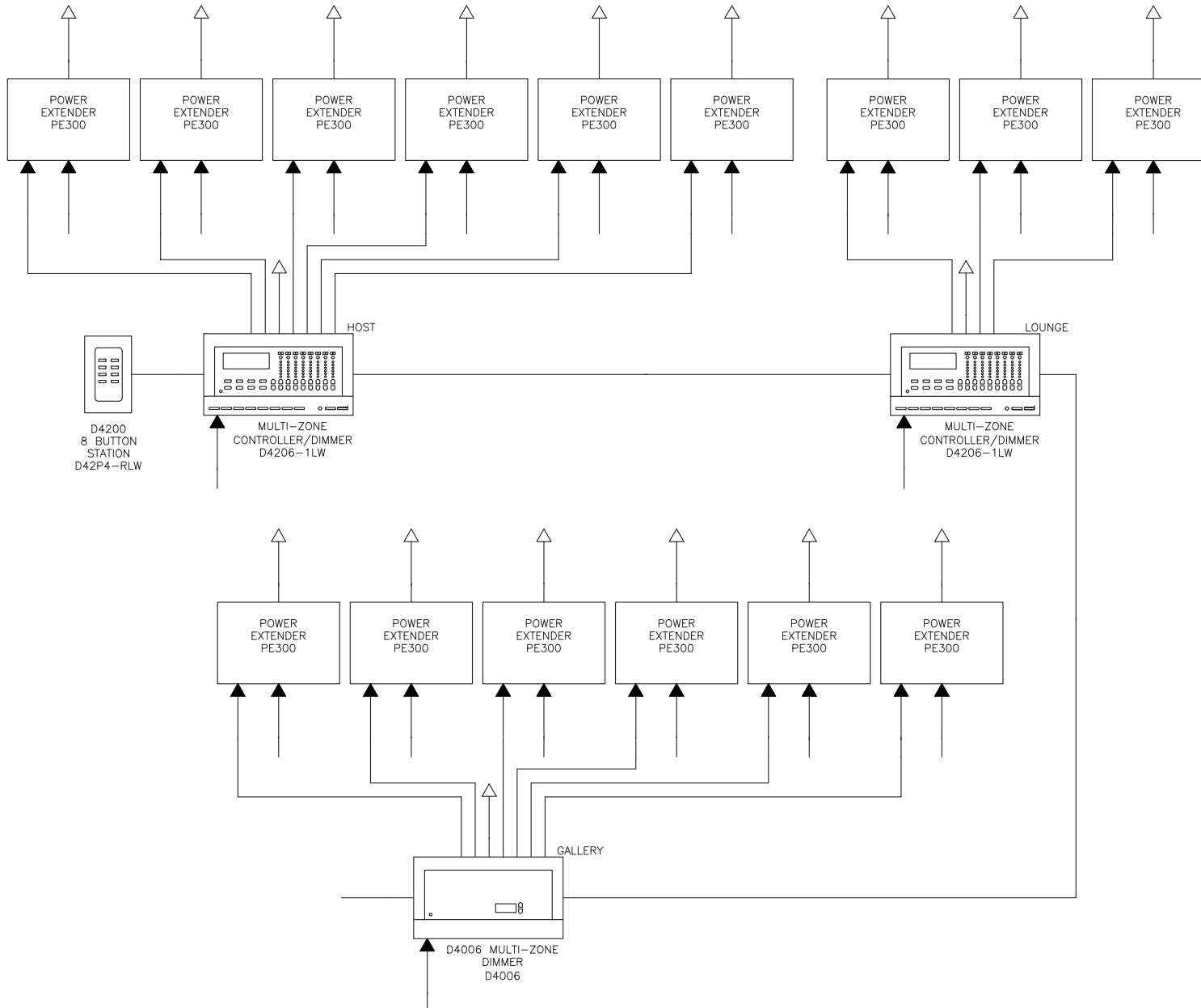
Preset-Based Guest Area Control



IRC, D4006, D4200, SIGNAL PROCESSING RACK, PHOTOCELLS, OCCUPANCY SENSORS, POWER EXTENDERS, POWER PACKS



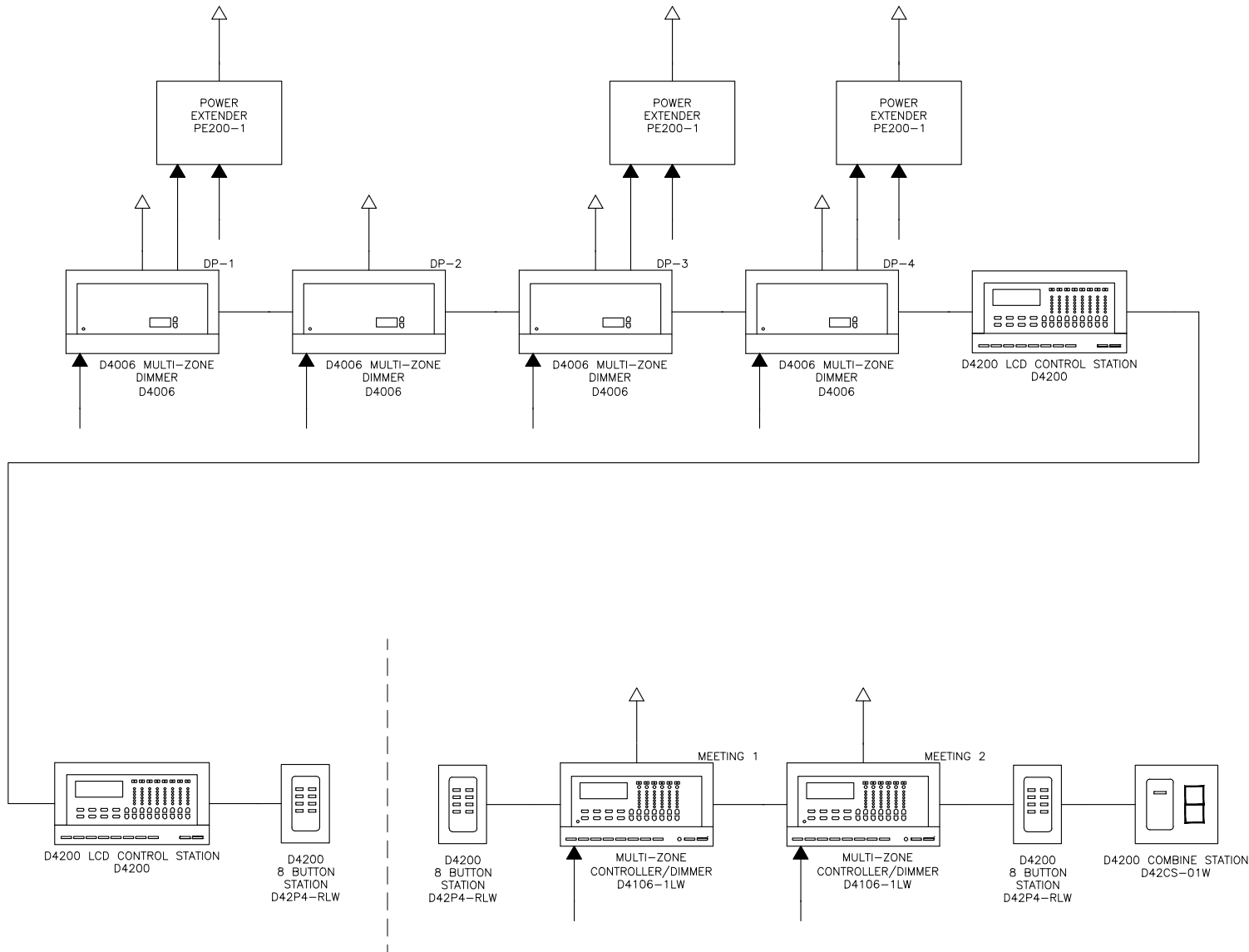
Preset-Based Guest Area Control



D4006, D4200, D4106, ROOM COMBINE STATIONS, 8 BUTTON STATIONS, POWER EXTENDERS



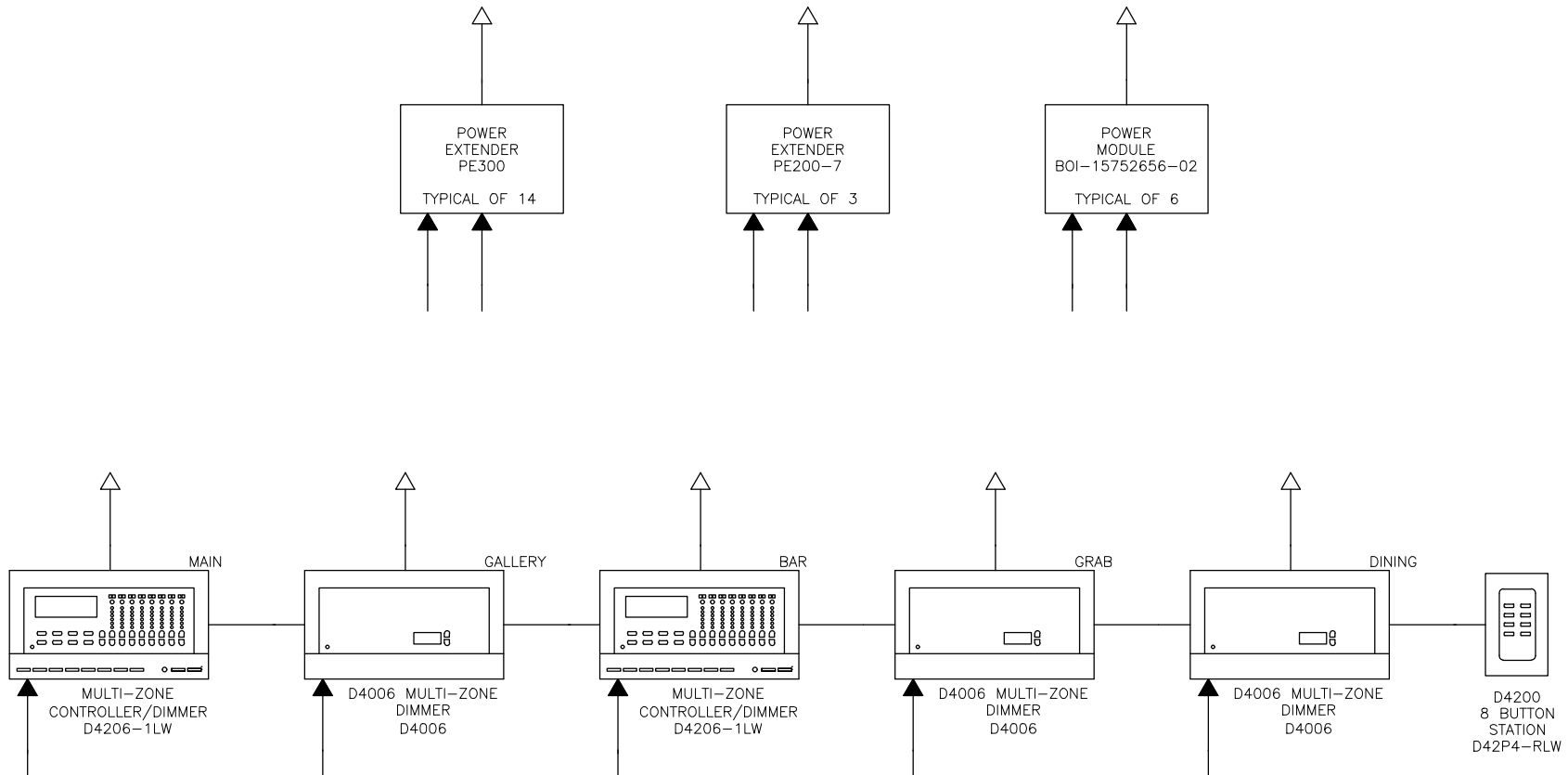
Preset-Based Guest Area Control Plus Combinable Meeting Room Control



D4006, D4206, 8 BUTTON STATION, POWER EXTENDERS, POWER MODULE



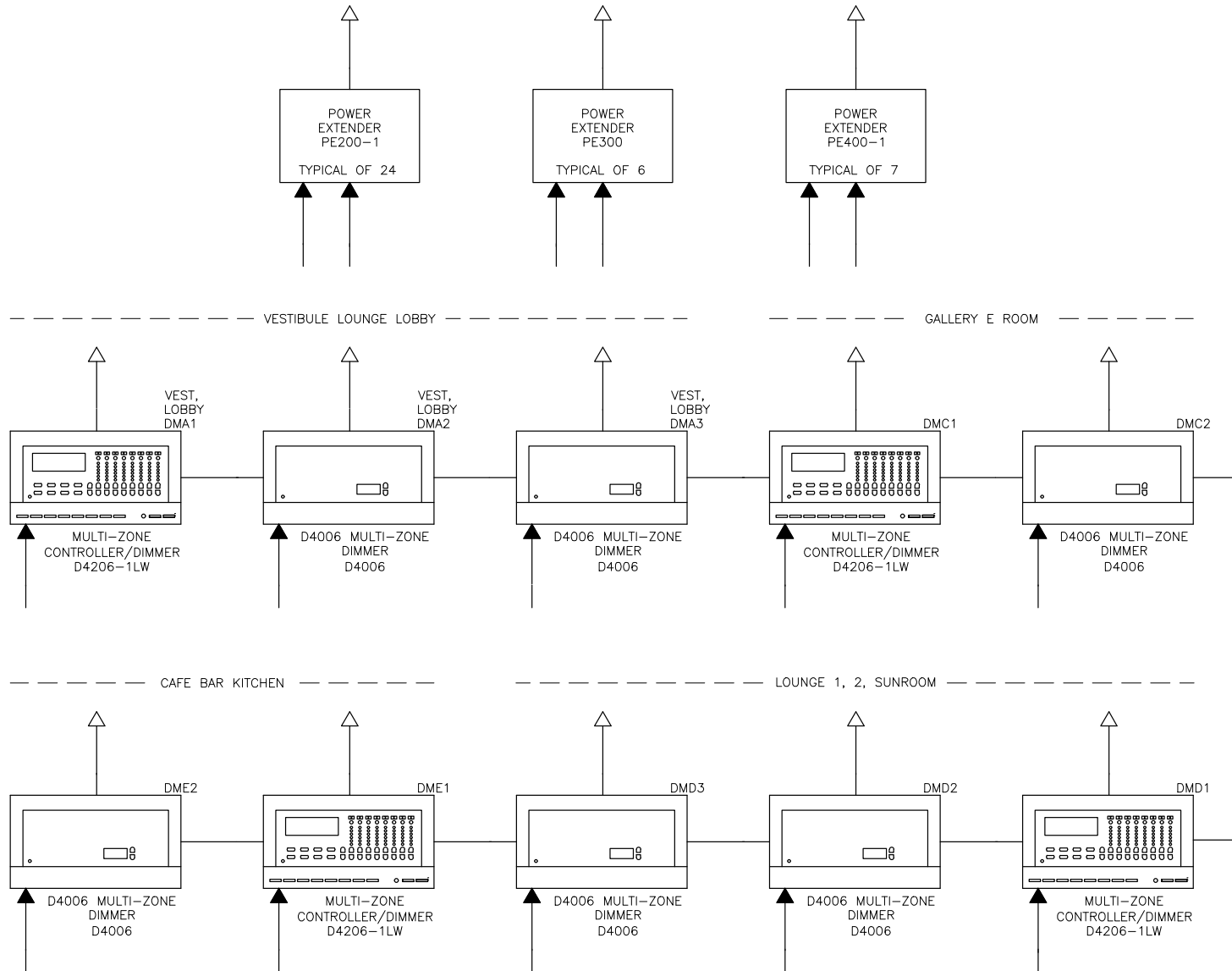
Preset-Based Guest Area Control



D4006, D4206, D4106, D4104, ROOM COMBINE STATION, 8 BUTTON STATIONS, POWER EXTENDERS



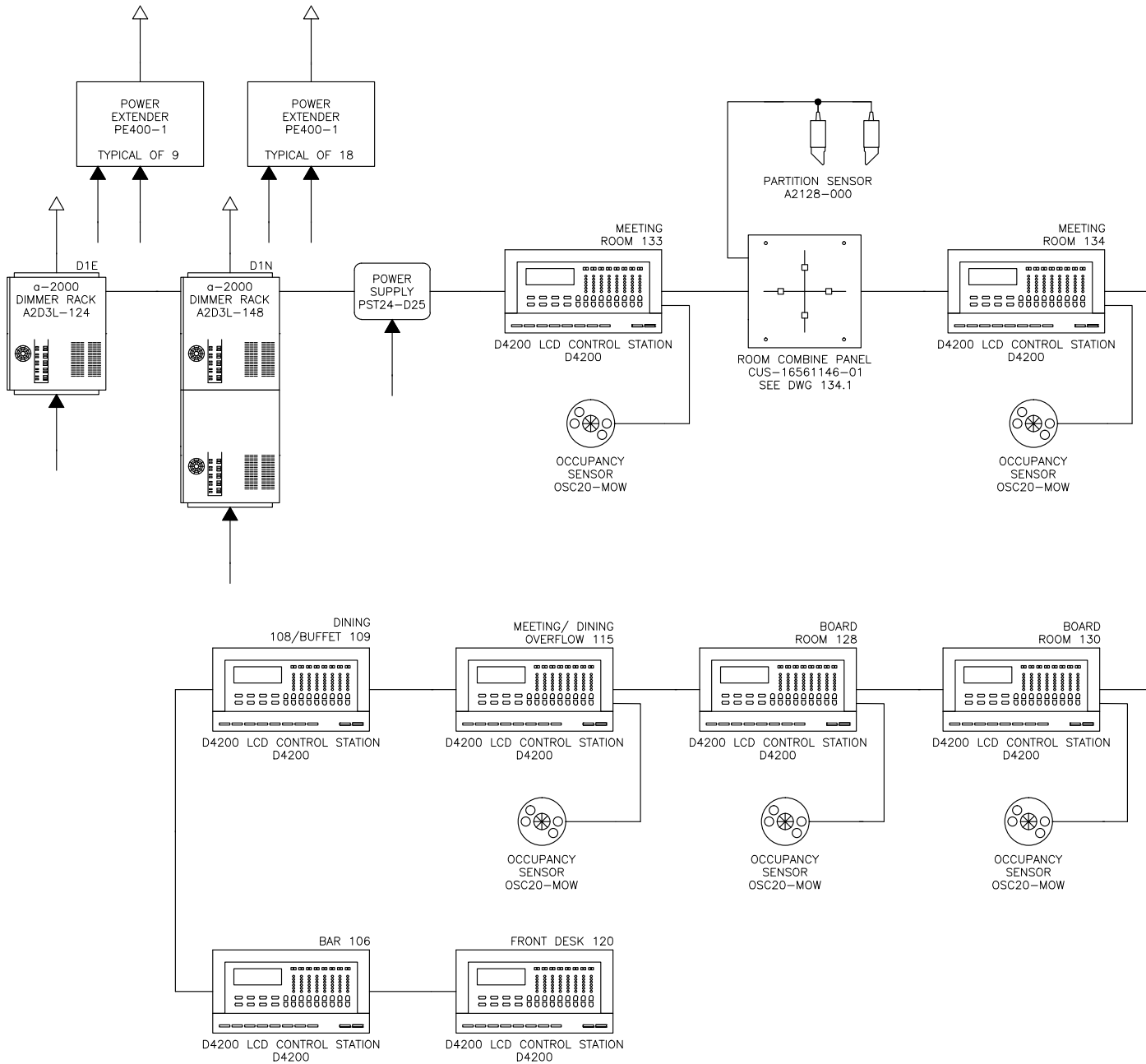
Preset-Based Guest Area Control



a2000, D4200, OCCUPANCY SENSORS, POWER SUPPLY, POWER EXTENDERS



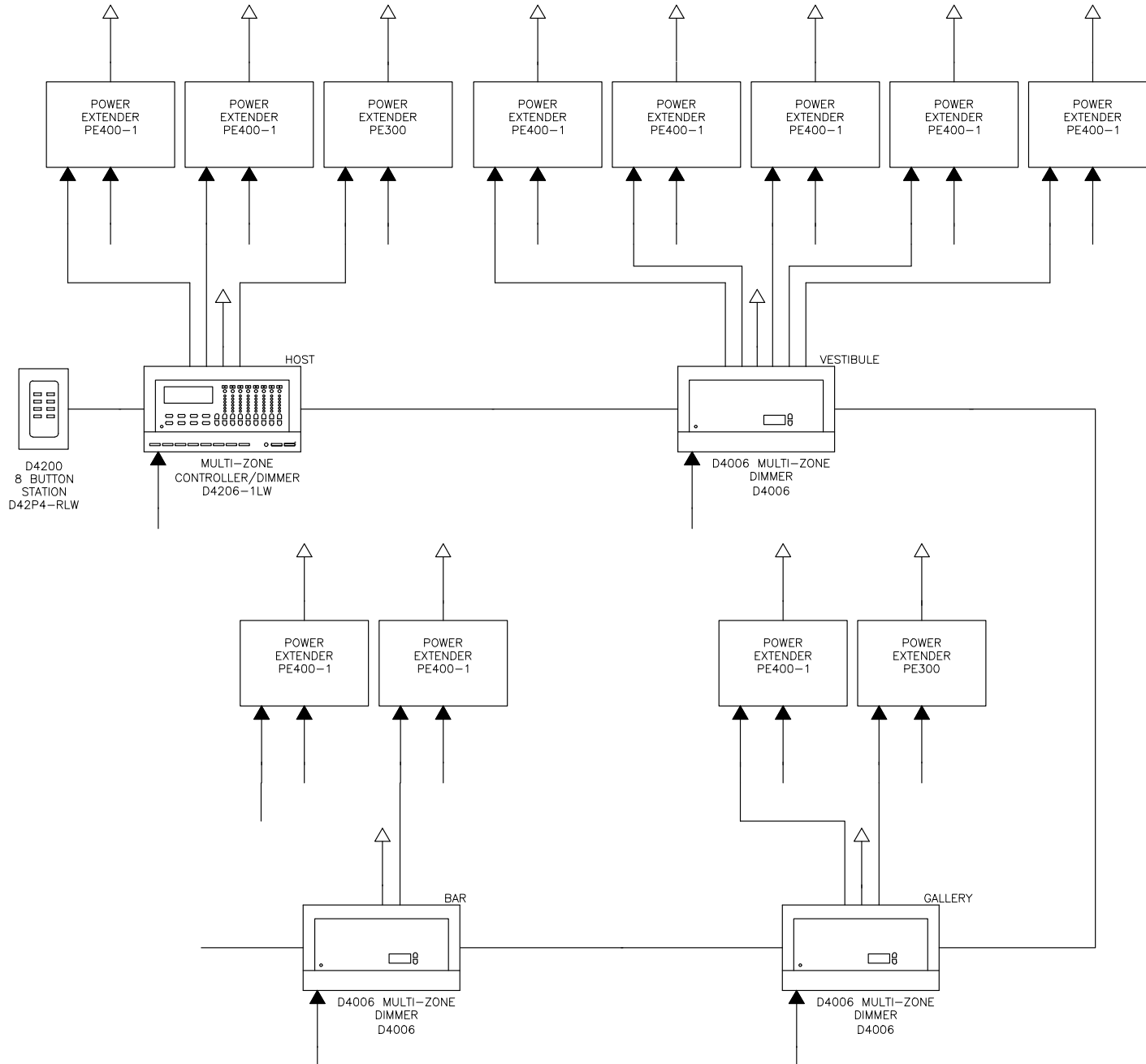
Preset-Based Guest Area Control Plus Meeting Rooms



D4006, D4206, 8 BUTTON STATION, POWER EXTENDERS



Preset-Based Guest Area Control





Leviton Manufacturing Co., Inc. Energy Management, Controls and Automation

20497 SW Teton Avenue, Tualatin, OR 97062 **tel** 800-736-6682 **fax** 503-404-5594 **tech line** (6:00AM-4:00PM PT Mon-Fri) 800-959-6004

Leviton Manufacturing Co., Inc. Global Headquarters

201 North Service Road, Melville, NY 11747-3138 **tel** 800-323-8920 **fax** 800-832-9538 **tech line** (8:30AM-7:00PM ET Mon-Fri) 800-824-3005

Visit our Website at: www.leviton.com/nationalhospitality

©2017 Leviton Manufacturing Co., Inc. All rights reserved. Subject to change without notice.

G-10191/F17-tb