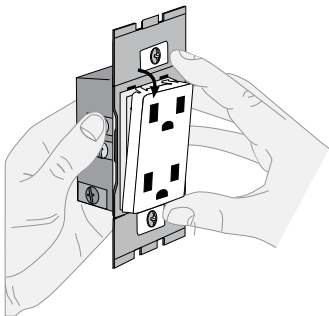
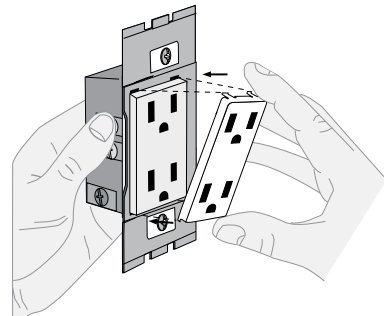


# Outlet Color Kit



Push down tabs per diagram, one at a time and rotate forward to release face



Attach new face by inserting bottom hinge tabs, then pivot and snap on the new face

## LEVITON<sup>®</sup>

Visit [www.leviton.com/renu](http://www.leviton.com/renu) for more information

### Leviton Manufacturing Co., Inc.

201 North Service Road, Melville, NY 11747-3138  
Telephone: 1-800-323-8920 • FAX: 1-800-832-9538  
Tech Line (8:30AM-7:00PM E.T. Monday-Friday): 1-800-824-3005

### Leviton Manufacturing of Canada, Ltd.

165 Hymus Boulevard, Pointe Claire, Quebec H9R 1E9  
Telephone: 1-800-469-7890 • FAX: 1-800-563-1853

### Leviton S. de R.L. de C.V.

Lago Tana 43, Mexico DF, Mexico CP 11290  
Telephone (+52) 55-5082-1040 • Fax: (+52) 55-5386-1797  
[www.leviton.com.mx](http://www.leviton.com.mx)

G-8439-tp

© 2010 Leviton Manufacturing Co., Inc. All rights reserved.

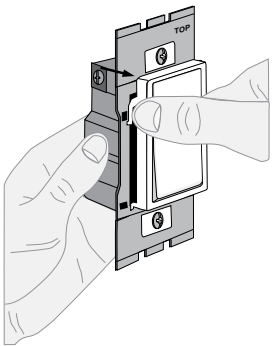
renu<sup>®</sup>

LEVITON<sup>®</sup>

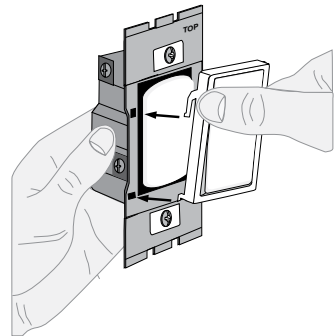


## Color Change Kit Instructions

## Switch Color Kit

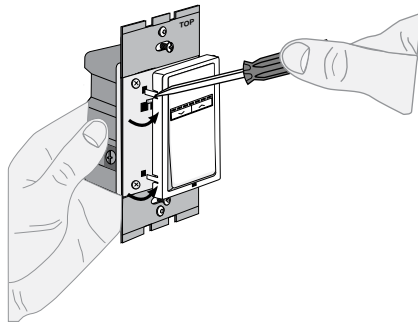


Push in sides at tabs and pull to release face

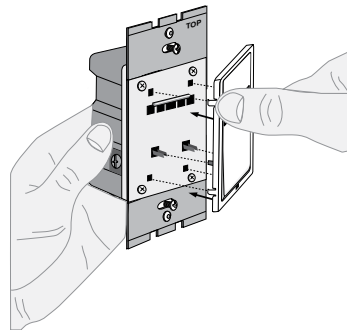


Attach new face by inserting the bottom hinge tabs, then pivot and snap on the new face

## Dimmer Color Kit

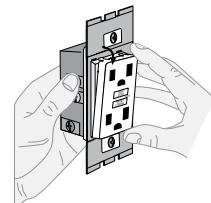


Using a flat screwdriver, push in upper and lower tabs on left side of frame, then rotate right to release face

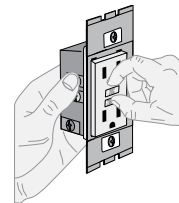


Line up and insert right side tabs, then rotate left to attach new face

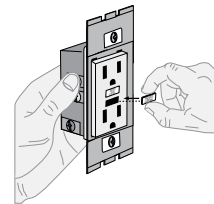
## GFCI Color Kit



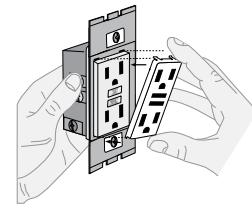
Push down tabs per diagram, one at a time and rotate forward to release face



Pull out Test and Reset buttons



Insert new Test and Reset buttons



Attach new face by inserting bottom hinge tabs, then pivot and snap on the new face