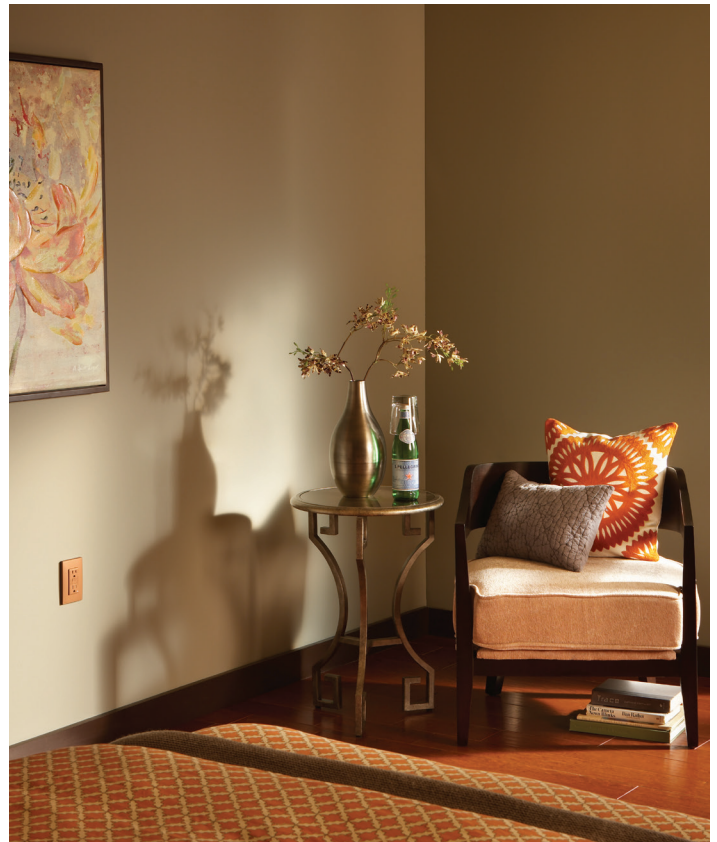


renu[®] in a snap!

Face snaps off/on to
change color - anytime.



Once you install Renu, change is always at your fingertips. The collection, in popular colors, includes switches, dimmers and receptacles with faces you can update yourself whenever you're ready for a new look - no rewiring needed. How smart is that? Very. If decorating is your passion, you'll love Renu.



renu® in a snap!

The smart way to update the look of a room in just a few easy steps.



Remove existing switch.

Replace with Renu.

Now you've got a great look you can change anytime.

Face snaps off/on to change color

Remove Renu wallplate and face.

Choose a fresh color to match or contrast with décor.

Snap on a Renu coordinating wallplate. Now you're done and can enjoy your smart new look.

Renu is our collection of electrical wiring devices including switches, receptacles, dimmers and wallplates, which feature easily changeable faceplates that are available in 20 popular colors. Refresh the color of any Renu device without any rewiring by snapping off the faceplate on the device and snapping on the new color face. Coordinating screwless wallplates snap on to finish the look. Renu fits any lifestyle and adapts to changing décor.



Prairie Sage



Walnut Bark



LEVITON

The Renu® Palette

Renu complements any décor, whether you want it to blend in with the walls or contrast with the trim. The collection is available in many popular shades.



White on White
(-WW)



Fresh Pink
Lemonade (-FP)



Sea Spray
(-SE)



Onyx Black
(-OB)



Gold Coast White
(-GC)



Toasted Coconut
(-TC)



Navajo Sand
(-NS)



Granny Smith
Apple (-GS)



Walnut Bark
(-WB)



Café Latte
(-CA)



Pebble Gray
(-PG)



Warm Caramel
(-WC)



Corn Silk
(-CS)



Prairie Sage
(-PS)



Whispering
Wheat (-WG)



Dapper Tan
(-DT)



Red Delicious
(-RE)



Wood Smoke
(-WS)



Deep Garnet
(-DG)



Rich Navy
(-RN)



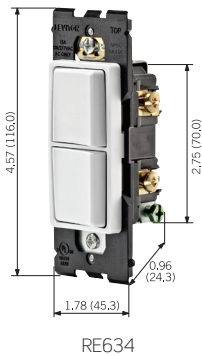
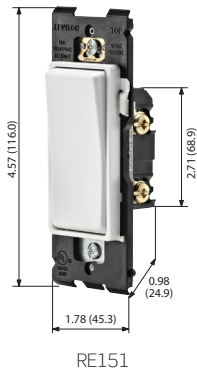
Stainless Steel
Appearance
(-STS)
(Wallplate Only)

Renu Switches

Leviton Renu switches feature a shallow design that easily installs in any wallbox and is self-grounded when installed in a properly grounded metal wallbox. The wiring options include Quickwire™, back, or side wiring for quick installation. Switches for every need include single pole, 3-Way, 4-Way and combination devices, all with gently curved edges and sculpted lines.

Features and Benefits

- Shallow depth for easier installation
- Self-grounded when installed in a properly grounded metal wallbox
- Back, side and quick wired for fast, easy installation
- Terminals designed to withstand high torque and resist wire pullout
- 3-Way and 4-Way switches are available for controlling lights from multiple locations
- Innovative tongue and groove design for effortless alignment in multi-gang installations
- No subplate behind the wallplate or visible mounting screws
- Switch face easily snaps OFF and ON to change color
- Once installed, Renu switches can be updated to a new color by ordering the RK15X or RK634 color change kits
- To complete the look, snap on a matching or contrasting Renu screwless wallplate (sold separately)
- Use only with Renu wallplates
- Backed by a Five-Year Limited Warranty



Description	Rating	Cat. No.	Color
Switch for Single Pole Applications	15A-120/277VAC	RE151	See Color Palette
Switch for 3-Way Applications	15A-120/277VAC	RE153	See Color Palette
Switch for 4-Way Applications	15A-120/277VAC	RE154	See Color Palette
Color Change Kit for Single Pole, 3-Way and 4-Way Switches	N/A	RK15X	See Color Palette
Single Pole Combination Switch	15A-120/277VAC	RE634	See Color Palette
Color Change Kit for Combination Switch	N/A	RK634	See Color Palette

TESTING AND CODE COMPLIANCE

- UL Listed (File # 7458)
- CSA Certified (File #LR-3413)
- NOM Certified (#057)

MATERIAL CHARACTERISTICS

Environmental: Flammability, UL-94 V-2 Rating
 Operating Temperature: -40°C- 65°C

ELECTRICAL

Dielectric Voltage: Withstands 1500V for 1 Min.
 Overload UL 20 Test: 100 Cycles of Overload @ 4.8 times rated current
 Endurance: UL 20/ 10,000 cycles Resistive Load, 10,000 cycles Inductive Load, 10,000 cycles Tungsten LampLoad; SP, 3-Way, 4-Way, & Combination Switches
 Temp. Rise: 30°C max at full rated current
 HORSEPOWER
 15A-1/2HP @ 120V, 2HP @ 240V

SPECIFICATIONS AND FEATURES

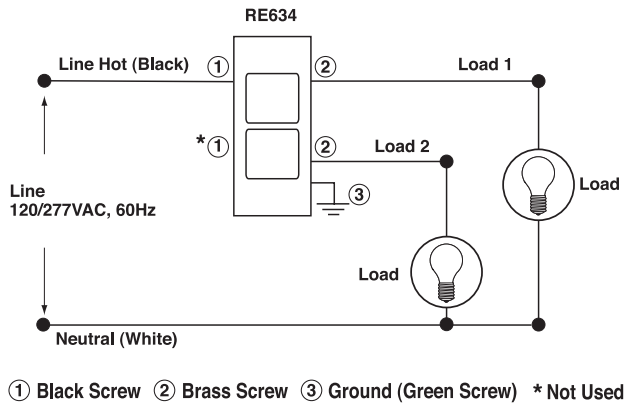
Not for use with Decora Wallplates.
 Terminal ID: Brass-Hot, Black-Hot, Green-Grounding
 Terminal Accommodations: up to #12AWG back wired, up to #14AWG side wired, #14AWG-only quick wired (Where Applicable)
 Product I.D.: Ratings permanently applied to devices
 Torque Recommendations: 12-14 inch pounds

COLOR

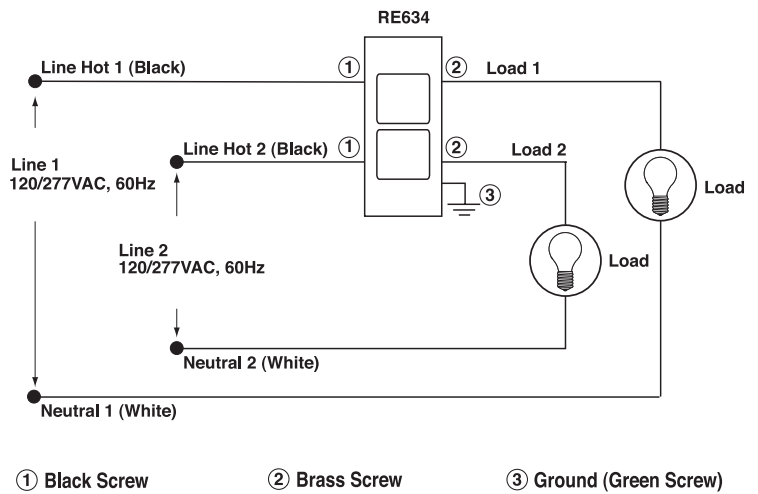
To order colors, add suffix to Cat. No. as follows: White on White (-WW), Onyx Black (-OB), Navajo Sand (-NS), Café Latte (-CA), Corn Silk (-CS), Dapper Tan (-DT), Deep Garnet (-DG), Fresh Pink Lemonade (-FP), Gold Coast White (-GC), Granny Smith Apple (-GS), Pebble Gray (-PG), Prairie Sage (-PS), Red Delicious (-RE), Rich Navy (-RN), Sea Spray (-SE), Toasted Coconut (-TC), Walnut Bark (-WB), Warm Caramel (-WC), Whispering Wheat (-WG), Wood Smoke (-WS), Stainless Steel Appearance (-STS)

WIRING DIAGRAMS

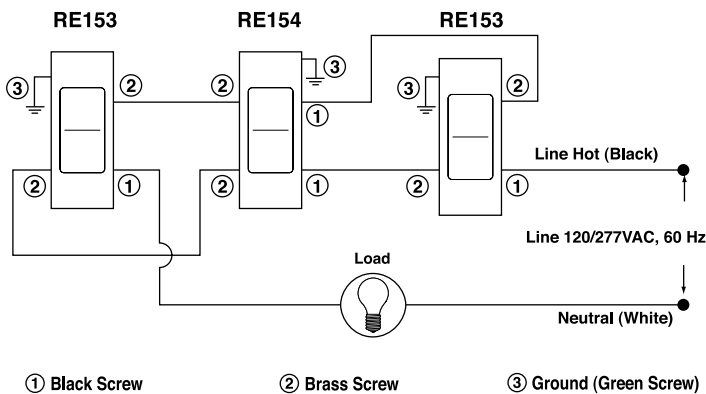
Single Pole Combination Switch - Common Feed



Single Pole Combination Switch - Separate Feed



4-Way Switch



Renu Receptacles

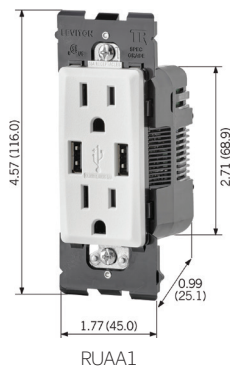
Leviton Renu receptacles feature a shallow design that easily installs in any wallbox and is self-grounded when installed in a properly grounded metal wallbox. Back and side wiring options allow for quick and convenient installation. Renu receptacles are Tamper-Resistant with a built-in shutter mechanism that blocks access to the contacts unless a two- or three- prong plug is inserted.

Features and Benefits

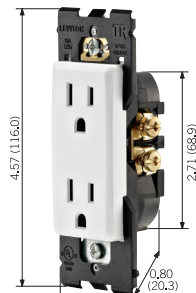
- Shallow depth for easier installation
- Self-grounded when installed in a properly grounded metal wallbox
- Back and side wired for fast, easy installation
- Terminals designed to withstand high torque and resist wire pullout
- Tamper-Resistant to meet the child safety requirements of the National Electrical Code®
- Innovative tongue and groove design for effortless alignment in multi-gang installations
- No subplate behind the wallplate or visible mounting screws
- Receptacle face easily snaps OFF and ON to change color
- Once installed, Renu devices can be updated to a new color by ordering color change kits
- To complete the look, snap on a matching or contrasting Renu screwless wallplate (sold separately)
- Use only with Renu wallplates
- Backed by a Five-Year Limited Warranty

USB Charger/15A or 20A Tamper-Resistant Duplex Receptacles – additional features:

- Two vertical USB Ports provide more space for maneuvering and reduce stress on USB cables
- 3.6A charging capacity
- Smart chip recognizes and optimizes the charging requirements of individual devices
- cCSAus Listed



RUAA1



RER15

Description	Rating	Cat. No.	Color
USB Charger/Tamper-Resistant Duplex Receptacle	15A-125V 3.6A Total	RUAA1	See Color Palette
Color Change Kit for 15A USB Charger/Tamper-Resistant Duplex Receptacle	N/A	RKAA1	See Color Palette
USB Charger/Tamper-Resistant Duplex Receptacle	20A-125V 3.6A Total	RUAA2	See Color Palette
Color Change Kit for 20A USB Charger/Tamper-Resistant Duplex Receptacle	N/A	RKAA2	See Color Palette
Tamper-Resistant Receptacle	15A-125V	RER15	See Color Palette
Color Change Kit for 15A Tamper-Resistant Receptacle	N/A	RKR15	See Color Palette
Tamper-Resistant Receptacle	20A-125V	RER20	See Color Palette
Color Change Kit for 20A Tamper-Resistant Receptacle	N/A	RKR20	See Color Palette

TESTING AND CODE COMPLIANCE

- UL Listed (File # E-13399)
- CSA Certified (File #LR-406)
- NOM Certified (#057)

MATERIAL CHARACTERISTICS

Environmental: Flammability, UL-94 V-2 Rating
 Operating Temperature: -40°C (without impact) - 60°C

ELECTRICAL

Dielectric Voltage: Withstands 1250V for 1 Min.
 Temp. Rise: Max 30C after 100 cycles OL, at 150 percent rated current
 HORSEPOWER
 1/2HP @ 15 A-125V, 1 HP @ 20 A-125V

SPECIFICATIONS AND FEATURES

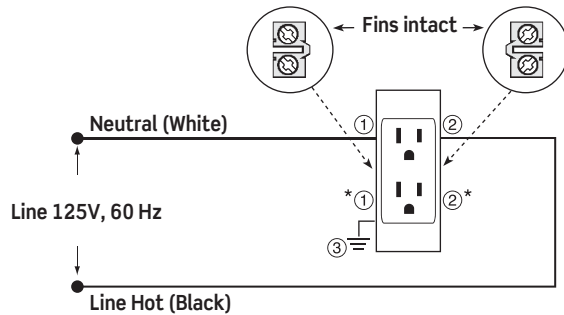
Not for use with Decora Wallplates.
 Terminal ID: Brass-Hot, White-Neutral, Green-Grounding
 Terminal Accommodations: up to #10AWG back wired, up to #10AWG side wired
 Double-wipe power contacts for maximum conductivity and plug retention
 Product I.D.: Ratings permanently applied to devices
 Torque Recommendations: 12-14 inch pounds

COLOR

To order colors, add suffix to Cat. No. as follows: White on White (-WW), Onyx Black (-OB), Navajo Sand (-NS), Café Latte (-CA), Corn Silk (-CS), Dapper Tan (-DT), Deep Garnet (-DG), Fresh Pink Lemonade (-FP), Gold Coast White (-GC), Granny Smith Apple (-GS), Pebble Gray (-PG), Prairie Sage (-PS), Red Delicious (-RE), Rich Navy (-RN), Sea Spray (-SE), Toasted Coconut (-TC), Walnut Bark (-WB), Warm Caramel (-WC), Whispering Wheat (-WG), Wood Smoke (-WS), Stainless Steel Appearance (-STS)

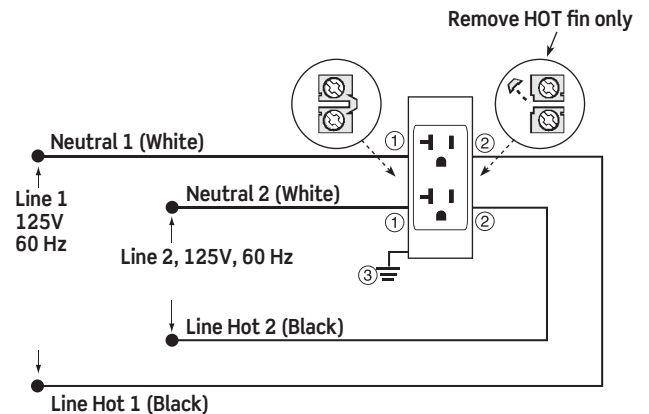
WIRING DIAGRAMS

15 Amp Receptacle



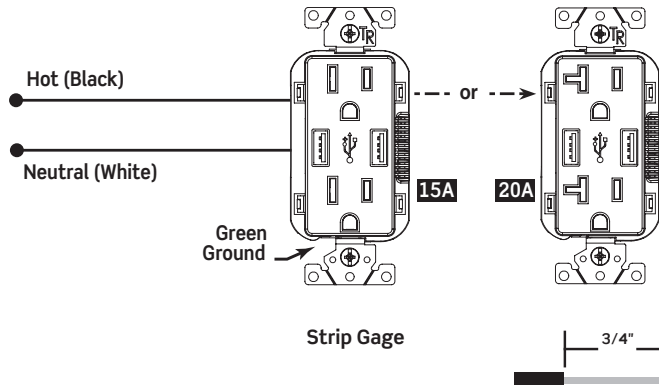
① Silver Screw ② Brass Screw ③ Ground (Green Screw) *Not Used

20 Amp Receptacle



① Silver Screw ② Brass Screw ③ Ground (Green Screw)

15 and 20 Amp USB Receptacle



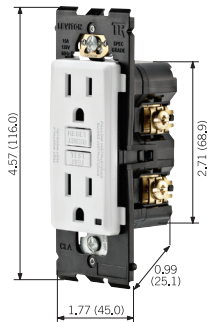
Renu GFCIs

Leviton Renu GFCI receptacles feature our shallow design that takes up to 25% less space in the wallbox vs. other GFCIs so it easily installs in most wallboxes, even shallow ones. It also contains Leviton's patented RESET lockout feature which automatically tests the GFCI every time the RESET button is pushed in. Renu GFCI receptacles are self-grounded when installed in a properly grounded metal wallbox.

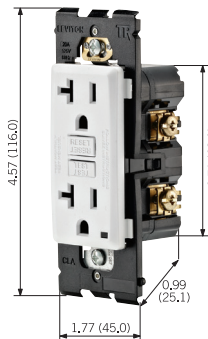
Back and side wiring options allow for quick and convenient installation. They are Tamper-Resistant with a built-in shutter mechanism that blocks access to the contacts unless a two-prong plug is inserted. GFCIs are required by the National Electrical Code® (NEC®) in all new and renovated residential construction in areas in the vicinity of water or which are prone to dampness.

Features and Benefits

- Designed to meet the latest UL standard for auto-monitoring (self-test); periodically conducts an automatic internal test to confirm that it can respond to a ground fault
- Shallow depth for easier installation
- Tamper-Resistant to meet NEC child safety requirements for new or renovated residential construction
- Patented lockout feature for added safety prevents RESET if GFCI is not operating properly
- Self-grounded when installed in a properly grounded metal wallbox
- Back and side wired for fast, easy installation
- Terminals designed to withstand high torque and resist wire pullout
- Innovative tongue and groove design for effortless alignment in multi-gang installations
- No subplate behind the wallplate or visible mounting screws
- GFCI face easily snaps OFF and ON to change color
- Once installed, Renu GFCI outlets can be updated to a new color by ordering the RKG15 or RKG20 color change kit
- To complete the look, snap on a matching or contrasting Renu screwless wallplate (sold separately)
- Use only with Renu wallplates
- Backed by a Five-Year Limited Warranty



REG15



REG20

Description	Rating	Cat. No.	Color
Tamper-Resistant Self-Test SmartlockPro® GFCI Receptacle	15A-125V @ Receptacle	RGF15	See Color Palette
Color Change Kit for 15A Tamper-Resistant GFCI Receptacle	20A-125V Feed-Through	RKG15	See Color Palette
Tamper-Resistant Self-Test SmartlockPro® GFCI Receptacle	20A-125V @ Receptacle	RGF20	See Color Palette
Color Change Kit for 20A Tamper-Resistant GFCI Receptacle	20A-125V Feed-Through	RKG20	See Color Palette

TESTING AND CODE COMPLIANCE

- Meets the latest UL requirements
- UL Standard 943 Class A (GFCI) and 498 (Receptacles)
 - UL Listed (File # E-48380)
 - CSA Certified (File #LR-57811)
 - NOM Certified (File #057)
 - Meets Federal Specification W-C-596G

MATERIAL CHARACTERISTICS

Environmental: Flammability UL-94 V2 Rating
 Operating Temperature: -35°C to 65°C
 Material: Face, Thermoplastic; Body, Polycarbonate

ELECTRICAL

Dielectric Voltage: Withstands 2000V for UL 498
 Current Interr.: Full rated current
 Temp. Rise: Max 30°C at full rated current after 250 cycles
 overload at 200% of rated current
 Meets 10kA supplemental short circuit current test

SPECIFICATIONS AND FEATURES

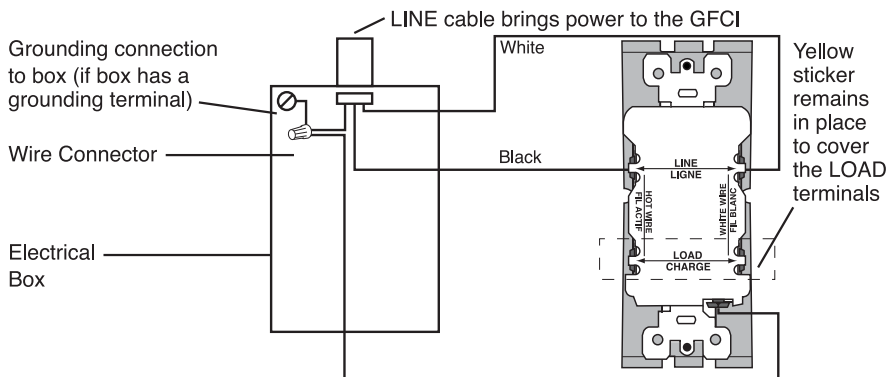
Not for use with Decora Wallplates.
 Terminal I.D.: Brass-Hot, White-Neutral, Green-Grounding
 Terminal Accom.: #14-#10 AWG
 Product I.D.: Ratings are permanently stamped on device

COLOR

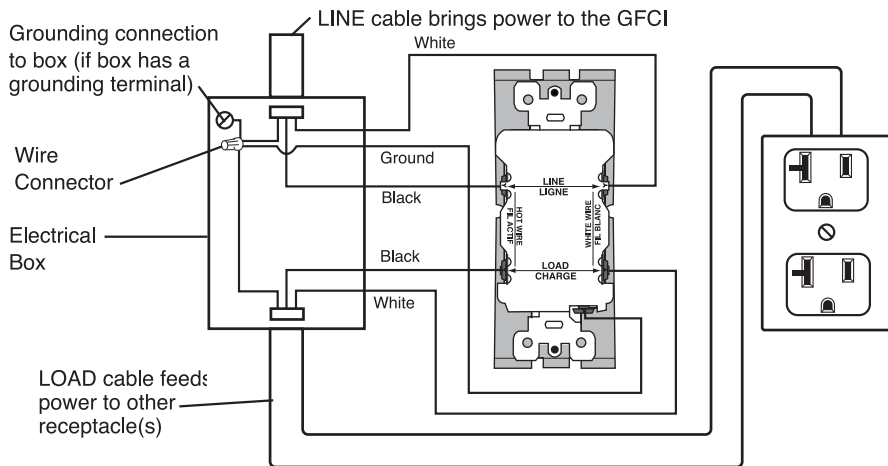
To order colors, add suffix to Cat. No. as follows: White on White (-WW), Onyx Black (-OB), Navajo Sand (-NS), Café Latte (-CA), Corn Silk (-CS), Dapper Tan (-DT), Deep Garnet (-DG), Fresh Pink Lemonade (-FP), Gold Coast White (-GC), Granny Smith Apple (-GS), Pebble Gray (-PG), Prairie Sage (-PS), Red Delicious (-RE), Rich Navy (-RN), Sea Spray (-SE), Toasted Coconut (-TC), Walnut Bark (-WB), Warm Caramel (-WC), Whispering Wheat (-WG), Wood Smoke (-WS), Stainless Steel Appearance (-STS)

WIRING DIAGRAMS

15 Amp GFCI Receptacle



20 Amp GFCI Receptacle

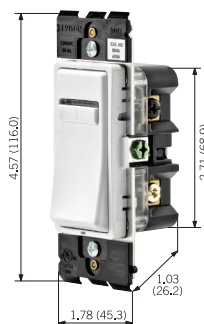


Renu Dimmers

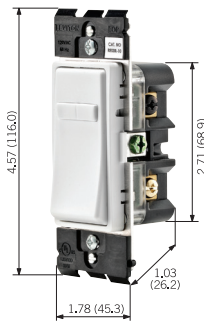
Leviton Renu dimmers feature a shallow design that easily installs in any wallbox and is self-grounded when installed in a properly grounded metal wallbox. The terminals are designed to withstand high torque and resist wire pullout. The Renu dimmer can be used for single pole, 3-Way and more applications when used with the coordinating remote dimmer. Along with providing convenient control, dimmers can help lower your electric bills and extend the life of your light bulbs.

Features and Benefits

- Shallow depth for easier installation
- Digital circuitry provides single pole, 3-Way or more applications when used with the RE00R remote dimmer
- Soothing white LED and brightness display
- Advanced programming is available for energy save mode, minimum brightness level, preset ON, fade rates, almost OFF and LED options
- REL06 dimmer is designed for use with dimmable LED and CFL as well as magnetic low voltage and incandescent bulbs
- Back and side wired for fast, easy installation
- Innovative tongue and groove design for effortless alignment in multi-gang installations
- No subplate behind the wallplate or visible mounting screws
- Dimmer face easily snaps OFF and ON to change color
- Once installed, Renu dimmers can be updated to a new color by ordering the RKDMD or RKDCD color change kits
- To complete the look, snap on a matching or contrasting Renu screwless wallplate (sold separately)
- Use only with Renu wallplates
- Backed by a Five-Year Limited Warranty



REI06



RE00R

Description	Rating	Cat. No.	Color
LED/CFL/MLV/Incandescent Dimmer with LED Locator and brightness display	300W LED/CFL-120VAC 600VA Magnetic Low Voltage	REL06	See Color Palette
Incandescent Dimmer with LED Locator and brightness display	600W Incandescent-120VAC	REI06	See Color Palette
Dimmer Color Change Kit	N/A	RKDMD	See Color Palette
Coordinating Dimmer Remote for 3-Way or Multi-Location Control, for use with REI06	No Load Rating 120VAC	RE00R	See Color Palette
Coordinating Remote Dimmer Color Change Kit	N/A	RKDCD	See Color Palette

TESTING AND CODE COMPLIANCE

- UL Listed (File #E31373)
- CSA Certified (File #LR-3413)

MATERIAL CHARACTERISTICS

Environmental: Flammability UL-94, V2 Rating
 Operating Temperature: -40°C- 65°C

SPECIFICATIONS AND FEATURES

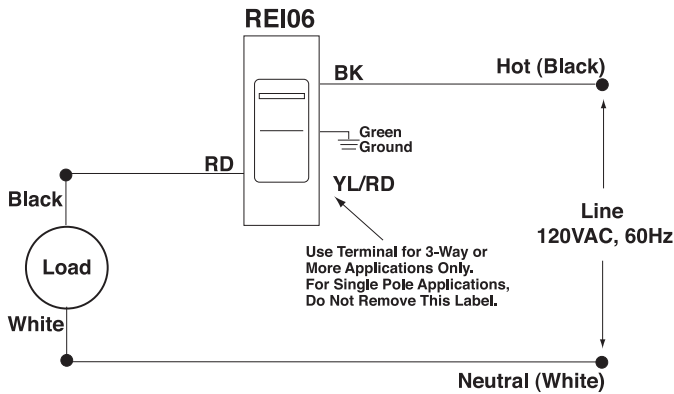
- Universal design provides crisp actuation and minimal travel
- Push pad always returns to neutral position regardless of load status
- Air-gap switch completely disconnects power to unit for bulb changing or removal from service
- Digital circuitry provides soft ON/fade OFF switching that extends bulb life
- Protected memory and voltage compensation maintain light levels after power outages and during minor power fluctuations

COLOR

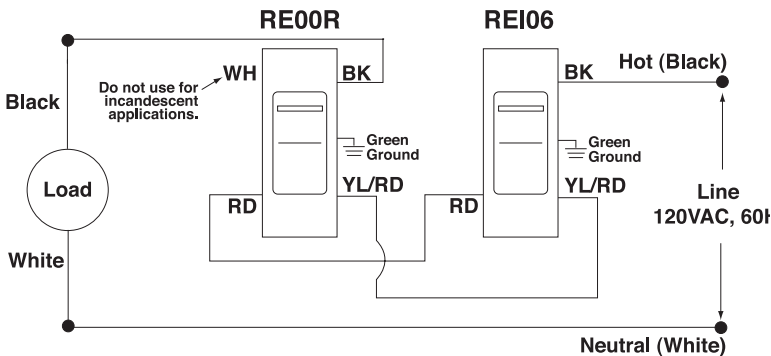
To order colors, add suffix to Cat. No. as follows: White on White (-WW), Onyx Black (-OB), Navajo Sand (-NS), Café Latte (-CA), Corn Silk (-CS), Dapper Tan (-DT), Deep Garnet (-DG), Fresh Pink Lemonade (-FP), Gold Coast White (-GC), Granny Smith Apple (-GS), Pebble Gray (-PG), Prairie Sage (-PS), Red Delicious (-RE), Rich Navy (-RN), Sea Spray (-SE), Toasted Coconut (-TC), Walnut Bark (-WB), Warm Caramel (-WC), Whispering Wheat (-WG), Wood Smoke (-WS), Stainless Steel Appearance (-STS)

WIRING DIAGRAMS

Single Pole Dimmer



3-Way Dimmer















Renu Wallplates

Renu Wallplates snap directly onto the Renu devices for seamless style. If you decide to change color schemes, you can easily snap off the wallplate and snap on a new one. Choose from 20 designer color wallplates to find the perfect combination. The large selection makes it easy to find the right color so the device can blend in or contrast against the existing décor. These wallplates are slightly larger than standard size to help cover imperfections on the walls and are available in two-, three-, and four-gang models.



RENU COLORS

NOTE: Only wallplates are available in the stainless steel appearance finish. To order colors, add suffix to Cat. No.

	White on White (-WW)		Fresh Pink Lemonade (-FP)		Sea Spray (-SE)
	Onyx Black (-OB)		Gold Coast White (-GC)		Toasted Coconut (-TC)
	Navajo Sand (-NS)		Granny Smith Apple (-GS)		Walnut Bark (-WB)
	Café Latte (-CA)		Pebble Gray (-PG)		Warm Caramel (-WC)
	Corn Silk (-CS)		Prairie Sage (-PS)		Whispering Wheat (-WG)
	Dapper Tan (-DT)		Red Delicious (-RE)		Wood Smoke (-WS)
	Deep Garnet (-DG)		Rich Navy (-RN)		Stainless Steel Appearance (-STS)

Features and Benefits

- Exclusive for all Renu devices
- Screwless, snap-on wallplate
- Does not contain a subplate, simply snap onto Renu device
- Available in 20 popular colors and stainless steel appearance finish to match any décor
- Snaps directly onto Renu device (sold separately) for fast installation, no screws or subplate needed
- Slightly larger than standard wallplates to help cover wall imperfections
- 1-, 2-, 3- and 4-gang wallplates available
- Renu adaptor ring REA00* (sold separately) allows any Decora device to fit into a Renu wallplate
- Backed by a Five-Year Limited Warranty



Description	Cat. No.	Color
1-Gang Screwless Snap-On Wallplate	REWP1	See Color Palette
1-Gang Screwless Snap-On Wallplate, in Stainless Steel Appearance	REWM1	STS
2-Gang Screwless Snap-On Wallplate	REWP2	See Color Palette
2-Gang Screwless Snap-On Wallplate, in Stainless Steel Appearance	REWM2	STS
3-Gang Screwless Snap-On Wallplate	REWP3	See Color Palette
4-Gang Screwless Snap-On Wallplate	REWP4	See Color Palette

TESTING AND CODE COMPLIANCE

- UL Listed
- CSA Certified
- NOM Certified (#057)

SPECIFICATIONS AND FEATURES

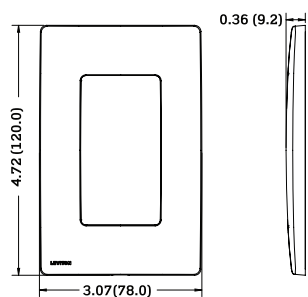
Not for use with standard Decora devices without the “Renu” Adapter Frame.

COLOR

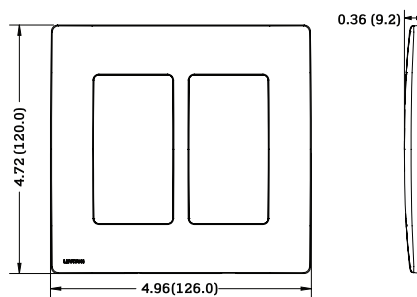
To order colors, add suffix to Cat. No. as follows: White on White (-WW), Onyx Black (-OB), Navajo Sand (-NS), Café Latte (-CA), Corn Silk (-CS), Dapper Tan (-DT), Deep Garnet (-DG), Fresh Pink Lemonade (-FP), Gold Coast White (-GC), Granny Smith Apple (-GS), Pebble Gray (-PG), Prairie Sage (-PS), Red Delicious (-RE), Rich Navy (-RN), Sea Spray (-SE), Toasted Coconut (-TC), Walnut Bark (-WB), Warm Caramel (-WC), Whispering Wheat (-WG), Wood Smoke (-WS), Stainless Steel Appearance (-STS)

DIMENSIONS

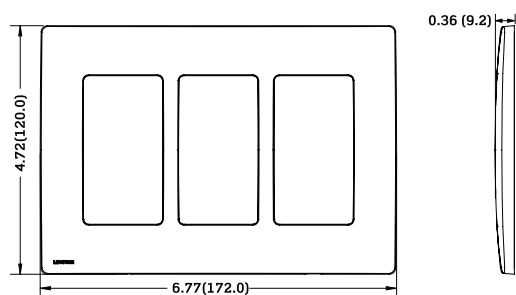
1-Gang Wallplate



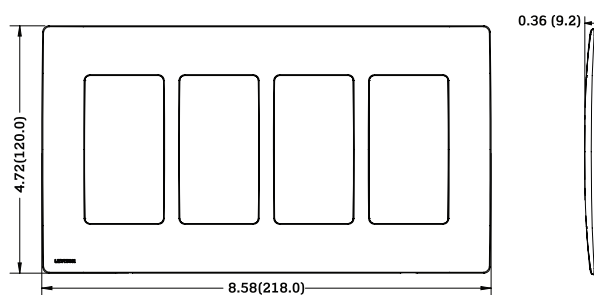
2-Gang Wallplate



3-Gang Wallplate



4-Gang Wallplate



Renu Color Change Kits

Leviton Renu Color Change Kits are ideal for a quick and easy color change for the entire line of Renu devices. Simply snap off the device face, and snap on a new one --no need to rewire. Interchangeable faceplates and wallplates are available in 20 popular colors to blend in or contrast with any color scheme.

Features and Benefits

- Update any Renu device in a snap
- Faces easily snap off to change color
- Available in 20 designer colors
- Turns the electrical device into a decorative, easily updated accessory
- Limited Five-Year Warranty



RK15X-CA



RK634-RE



RKAA1-OB



RKR15-GS



RKG15-DT



RKDMD-WB

Description

Color Change Kit for single pole, 3-Way and 4-Way switches

Cat. No.

RK15X

Color Change Kit for Combination Switch

RK634

Color Change Kit for 15A USB Charger/Tamper-Resistant Duplex Receptacle

RKAA1

Color Change Kit for 20A USB Charger/Tamper-Resistant Duplex Receptacle

RKAA2

Color Change Kit for 15A Tamper-Resistant Receptacle

RKR15

Color Change Kit for 20A Tamper-Resistant Receptacle

RKR20

Color Change Kit for 15A Tamper-Resistant GFCI Receptacle

RKG15

Color Change Kit for 20A Tamper-Resistant GFCI Receptacle

RKG20

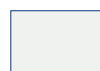
Dimmer Color Change Kit

RKDMD

Coordinating Remote Dimmer Color Change Kit

RKDCC

To order colors, add suffix to Cat. No. as follows:



White on White (-WW)



Fresh Pink Lemonade (-FP)



Sea Spray (-SE)



Onyx Black (-OB)



Gold Coast White (-GC)



Toasted Coconut (-TC)



Navajo Sand (-NS)



Granny Smith Apple (-GS)



Walnut Bark (-WB)



Café Latte (-CA)



Pebble Gray (-PG)



Warm Caramel (-WC)



Corn Silk (-CS)



Prairie Sage (-PS)



Whispering Wheat (-WG)



Dapper Tan (-DT)



Red Delicious (-RE)



Wood Smoke (-WS)

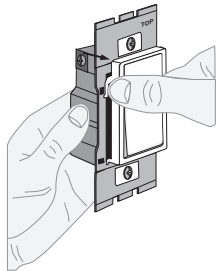


Deep Garnet (-DG)

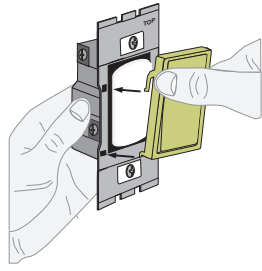


Rich Navy (-RN)

How to Change a Switch Color

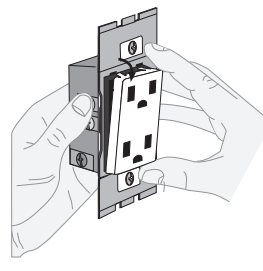


Push in sides at tabs and pull to release face

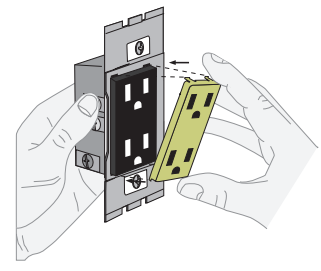


Attach new face by inserting the bottom hinge tabs, then pivot and snap on the new face

How to Change a Receptacle Color

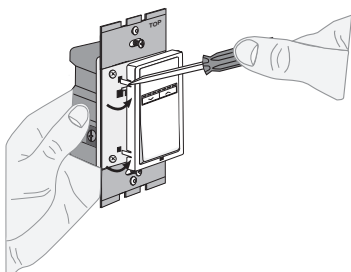


Push down tabs per diagram, one at a time and rotate forward to release face

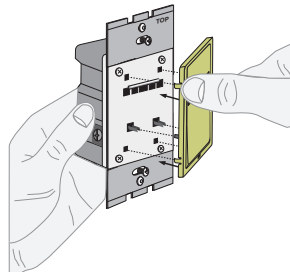


Attach new face by inserting bottom hinge tabs, then pivot and snap on the new face

How to Change a Dimmer Color

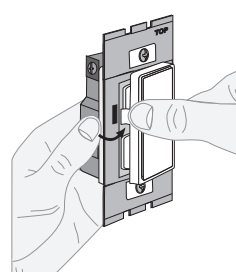


Using a flat screwdriver, push in upper and lower tabs on left side of frame, then rotate right to release face

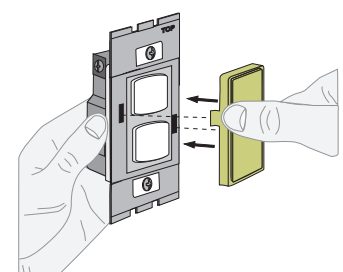


Line up and insert right side tabs, then rotate left to attach new face

How to Change a Combination Switch Color

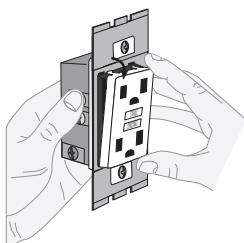


Push in left side of frame at tab and rotate right to release

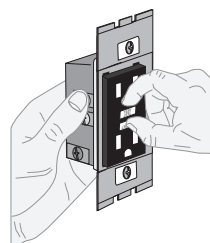


Insert right side tab and rotate left to attach

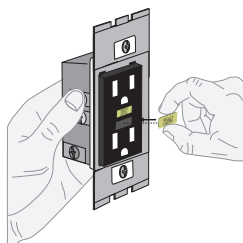
How to Change a GFCI Color



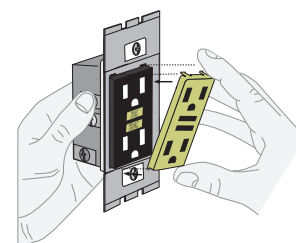
Push down tabs per diagram, one at a time and rotate forward to release face



Pull out Test and Reset buttons



Insert new Test and Reset buttons



Attach new face by inserting bottom hinge tabs, then pivot and snap on the new face

Renu Datacom Insert and Adapter Ring

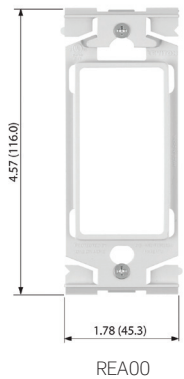
The Renu adapter ring makes it easy to retrofit any Decora® device to fit into a Renu wallplate. Renu Color two-port inserts with snap-in QuickPort® modules fit Renu wallplates and provide audio/video connections for Renu installations.

Adapter Ring Features and Benefits

- Allows any Decora device to fit into a Renu wallplate
- Renu screwless wallplates (sold separately) snap directly onto adaptor ring
- Adaptor ring available in White on White (Decora White), Navajo Sand (Decora Light Almond) and Onyx Black (Decora Black)
- Easy to install

Datacom Features and Benefits

- Available in 1, 2, 3, 4 and 6 ports
- Compatible with all QuickPort connectors and adapters
- Inserts can be customized in a snap with any Leviton QuickPort audio/video, phone or data connector in standard QuickPort colors
- Quick and easy to install
- Available in Renu White on White, Navajo Sand or Onyx Black only
- Use only with Renu wallplates
- cULus Listed



REA00



RE640-1

Description	Cat. No.	Color
Leviton Renu Adapter Ring	REA00	WW, OB, NS
Leviton Renu 1-port Insert	RE640-1	WW, OB, NS
Leviton Renu 2-port Insert	RE640-2	WW, OB, NS
Leviton Renu 3-port Insert	RE640-3	WW, OB, NS
Leviton Renu 4-port Insert	RE640-4	WW, OB, NS
Leviton Renu 6-port Insert	RE640-6	WW, OB, NS
Snap-In Black Module	RE640-B	WW, OB, NS

TESTING AND CODE COMPLIANCE

- UL Listed
- CSA Certified
- NOM Certified (#057)

SPECIFICATIONS AND FEATURES

Not for use with standard Decora devices without the "Renu" Adapter Frame.

COLOR

To order colors, add suffix to Cat. No. as follows: White on White (-WW), Onyx Black (-OB), Navajo Sand (-NS), Café Latte (-CA), Corn Silk (-CS), Dapper Tan (-DT), Deep Garnet (-DG), Fresh Pink Lemonade (-FP), Gold Coast White (-GC), Granny Smith Apple (-GS), Pebble Gray (-PG), Prairie Sage (-PS), Red Delicious (-RE), Rich Navy (-RN), Sea Spray (-SE), Toasted Coconut (-TC), Walnut Bark (-WB), Warm Caramel (-WC), Whispering Wheat (-WG), Wood Smoke (-WS), Stainless Steel Appearance (-STS)



Colors shown may not reflect actual product colors. Perceived colors may vary due to printing and other variables. Product colors are subject to change.



Leviton Manufacturing Co., Inc.

201 North Service Road, Melville, NY 11747-3138
Telephone: 1-800-323-8920 • FAX: 1-800-832-9538
Tech Line: 1-800-824-3005
Mon-Fri 8am-10pm EST, Saturday 9am-7pm EST

Leviton Manufacturing of Canada, Ltd.

165 Hymus Boulevard, Pointe Claire, Quebec H9R 1E9
Telephone: 1-800-469-7890 • FAX: 1-800-563-1853

Visit our Website at: www.leviton.com/renu

© 2017 Leviton Manufacturing Co., Inc. All rights reserved.
All trademarks are the property of their respective owners.

