

APPLICATION

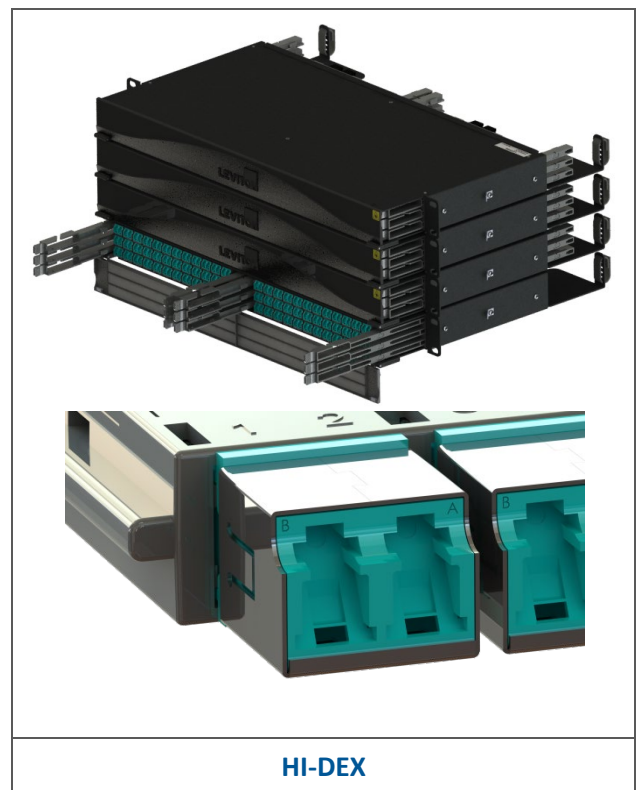
HI-DEX is an ultra-high-performance, pre-terminated, and modular optical fiber cabling system based on MT ferrule connector technology.

This product set is designed for installation in the data center and allows multiple point-to-point fiber connections between distribution racks and equipment racks to be quickly and efficiently installed and maintained, supporting the moves, adds, and changes environment. It is also suitable for use in short length backbone connections.

This HI-DEX product set offers an upgrade path to multi-lane, higher-speed transmissions and provides future-proofing for multi-Gigabit Fiber Channel, InfiniBand, and Ethernet technologies.

FEATURES

- **High-Density**
High-fiber density of up to 144 LC fibers per rack unit
- **High-Performance**
Ultra-high-performance connectors to achieve a low-loss optical budget
- **Modular Design**
Plug and play cassettes allow flexibility in fiber type and patch presentation
- **Extensive Labeling**
Labeling space for port, cassette and panel identification
- **Scalable System**
Modular consolidation point and panel products to allow growth and evolution of the system
- **Fully Accessible Patch Field**
Sliding cassettes provide unhindered access to patches in all port locations
- **Easy Installation**
Front and rear loading of cassettes
- **Integrated Dust Protection**
Shuttered LC adapters with integrated dust and laser protection
- **Cable Management**
Management features to allow patch cord segregation, bend management, and cable routing



HI-DEX

SPECIFICATION AND PERFORMANCE

All HI-DEX components are designed and manufactured to conform to the requirements of the structured wiring, cabling and data center standards including:

- ISO/IEC 11801:2002 amendments 1 & 2
- EN 50173-1
- TIA 568D series
- IEC 24764
- EN 50173-5
- TIA 942.

The use of low-loss connectors as standard allows multi-connector links to be configured while still meeting the optical budgets of high-speed applications.

CONNECTOR PERFORMANCE

Connector Type		Insertion Loss (dB)		Return Loss (dB)	
		Typical	Maximum	Typical	Maximum
Multimode	MTP®	0.10	0.35	-	20
	LC	0.10	0.15	-	20
Single-mode	MTP ¹	0.10	0.35	-	50
	LC	0.10	0.15	-	50

¹Angle polish face

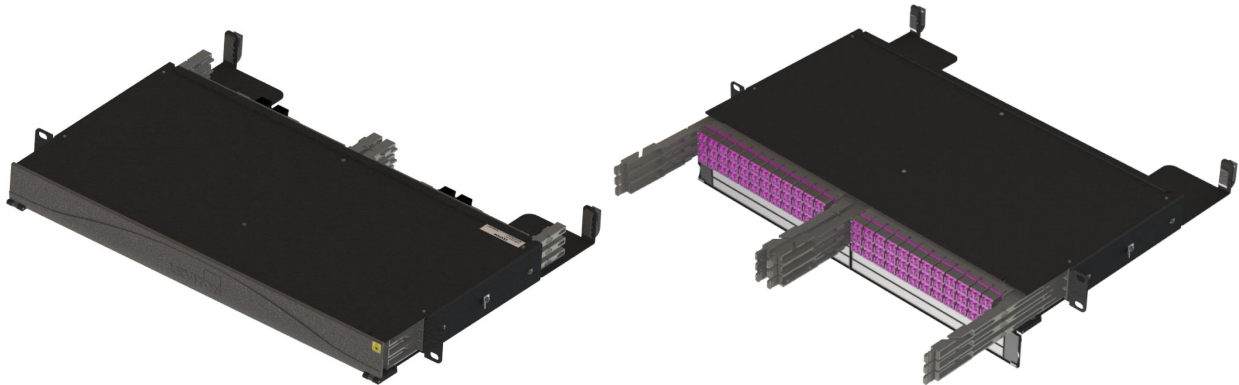
POLARITY

While the HI-DEX product range supports A, B, and C polarity schemes, it is recommended to implement a B polarity system as this will afford easier migration to higher speed, parallel transmissions and will simplify stock management for operators through an innovative cassette which can be flipped to provide both alpha and beta configurations with a single component.



HI-DEX PANEL SET

HI-DEX panel set is based around a 19" 1U panel, which can accommodate up to six interchangeable cassettes. The cassettes are mounted on sliding runners, which allow each cassette to be brought forward independently of the others, providing unrestricted access to every port. The subdivision of the cassettes also facilitates the routing of patch cords to both sides of the panel in order to simplify the management of the patch cords. The addition of a bridge piece ties each row together to provide single-sided routing where required. The front door protects the patches when not in use and provides generous labeling space on both the front and rear faces.



Innovative finger management provides bend radius control and sets a fixed patch cord length to prevent disruption to the fiber during the articulation of the sliding runners.



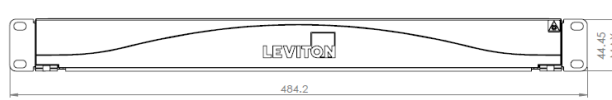
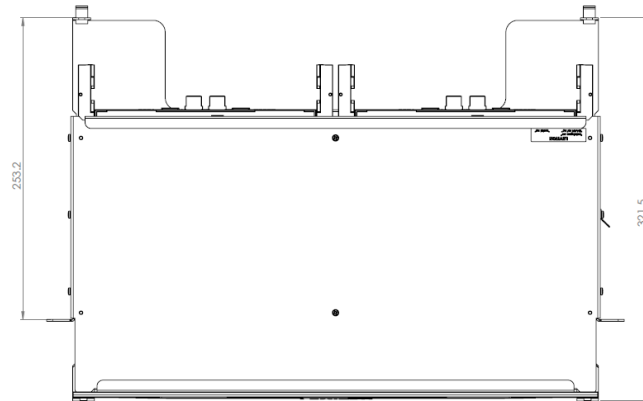
A matching 1U cable manager provides protected routing across the front of the rack.



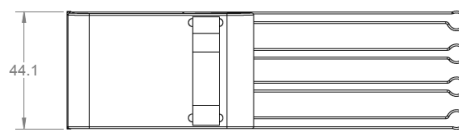
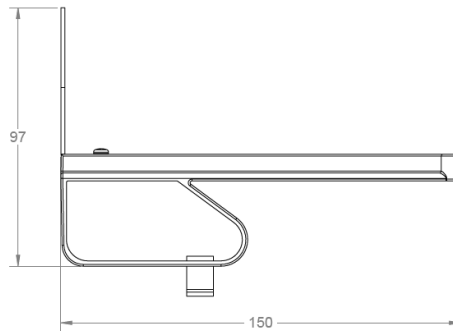
HI-DEX PANEL ORDER INFO

Part Number	Item Description	Color	Weight per Item (nom)	Qty per Pack
HDXPNL2	19" 1U HI-DEX Panel	Black	3.4kg	1
HDXM1U2	19" 1U HI-DEX Cable Manager	Black	740g	1
HDXMNF2	1U Finger Management	Black	70g	1

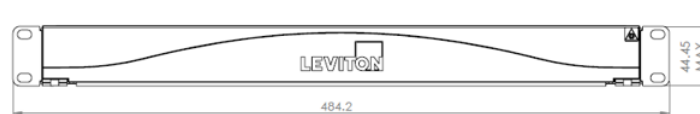
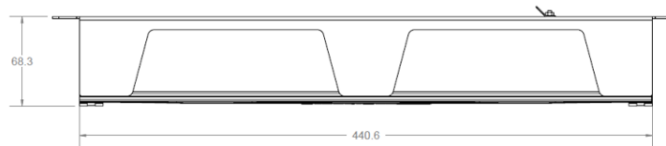
HI-DEX PANEL PHYSICAL CHARACTERISTICS



FINGER MANAGEMENT PHYSICAL CHARACTERISTICS



HI-DEX CABLE MANAGER PHYSICAL CHARACTERISTICS



HI-DEX CLOSED CASSETTES

HI-DEX closed cassettes provide 24 fiber MTP®-to-LC patches per cassette, giving a maximum density of 144 LC fibers in 1U. HI-DEX closed cassettes have two 12-fiber MTP adapters on the rear and 12 LC duplex adapters on the front. The LC adapters feature an integrated shutter that provides both dust and laser protection. The HI-DEX cassette features printed port identification in addition to a supplementary patch labeling area.

Innovative B-polarity cassettes provide alpha and beta configurations within a single unit, which is flipped to transition between alpha and beta configurations.



HI-DEX CLOSED CASSETTE ORDER INFO

Part Number	Item Description	Color	Weight per Item	Qty per Pack
HDXACTMLC10824	HI-DEX 2x12 MTP-LC SM Cassette	Gray	130g	1
HDXBBTMLC10824	HI-DEX 2x12 MTP-LC SM α/β Cassette	Gray	130g	1
HDXACTMLCOM324	HI-DEX 2x12 MTP-LC OM3 Cassette	Gray	130g	1
HDXBBTMLCOM324	HI-DEX 2x12 MTP-LC OM3 α/β Cassette	Gray	130g	1
HDXACTMLCOM424	HI-DEX 2x12 MTP-LC OM4 Cassette	Gray	130g	1
HDXBBTMLCOM424	HI-DEX 2x12 MTP-LC OM4 α/β Cassette	Gray	130g	1
HDXACTMLCOM524	HI-DEX 2x12 MTP-LC OM5 Cassette	Gray	130g	1
HDXBBTMLCOM524	HI-DEX 2x12 MTP-LC OM5 α/β Cassette	Gray	130g	1

HI-DEX OPEN CASSETTES

HI-DEX open cassettes provide 24 fiber LC presentation or 144 fiber MTP® presentation in a single cassette, giving a maximum density of 144 LC fibers or 864 MTP fibers in 1U. Available in single-mode and OM3, OM4 and OM5 multimode, HI-DEX open cassettes can be configured with opposed or aligned MTP adapters or UPC or APC LC adapters. HI-DEX open cassettes provide an added element of cable management.

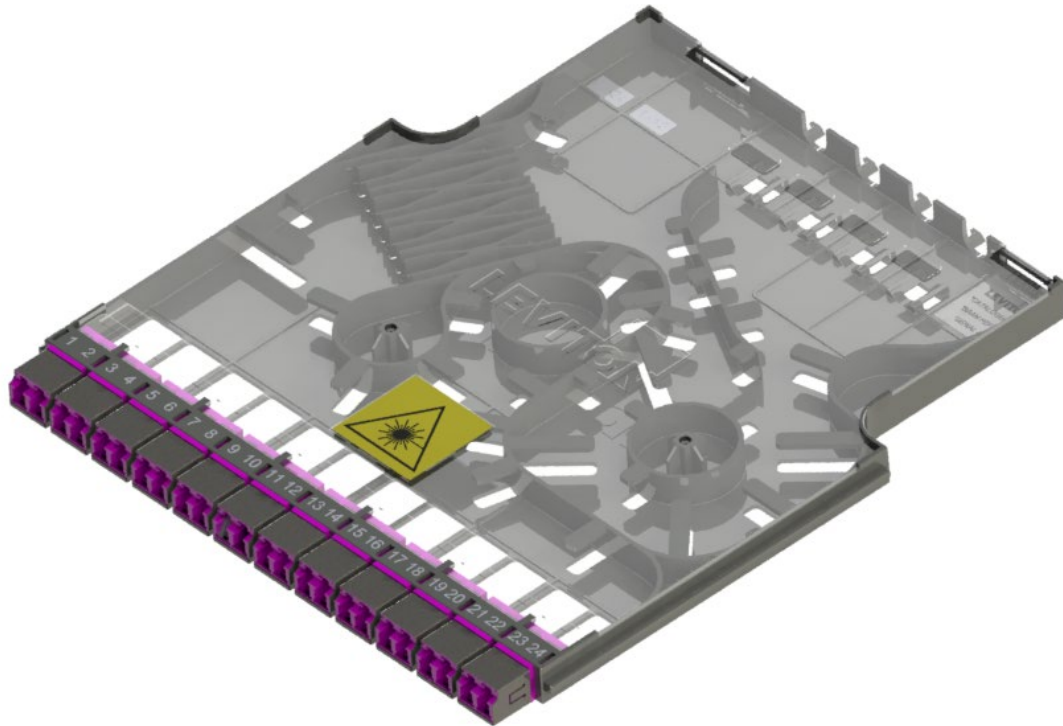


HI-DEX OPEN CASSETTE ORDER INFO

Part Number	Item Description	Color	Weight per Item (nom)	Qty per Pack
HDXOCAM144	HI-DEX Opposed Key MTP Open Cassette	Gray	60g	1
HDXOCBM144	HI-DEX Aligned Key MTP Open Cassette	Gray	60g	1
HDXOCLC10824	HI-DEX Single-mode LC Open Cassette	Gray	90g	1
HDXOCLCOM324	HI-DEX OM3 LC Open Cassette	Gray	90g	1
HDXOCLCOM424	HI-DEX OM4 LC Open Cassette	Gray	90g	1
HDXOCLCOM524	HI-DEX OM5 LC Open Cassette	Gray	90g	1
HDXOCBLK	HI-DEX Blank Open Cassette	Gray	50g	1

HI-DEX SPLICE CASSETTES

HI-DEX splice cassettes offer a modular field splicing solution for high-density fiber management, providing the user with ultimate flexibility in mission-critical data center installations. With LC connectivity as standard and options for up to 24x1m pre-loaded pigtails, the cassette features innovative integrated shuttered adapters providing both dust and laser protection. The HI-DEX splice cassette also simplifies administration with the inclusion of printed port identification, colored fiber pairs, and a transparent lid assisting with fiber identification and splice management. The high density 24 fiber cassettes offer up to 144 spliced fiber links in 1U of the rack ensuring, a truly modular, flexible, and manageable data center solution.



HI-DEX SPLICE CASSETTE ORDER INFO

Part Number	Item Description	Color	Weight per Item (nom)	Qty per Pack
HDXSPLC20824	HI-DEX Splice LC SM 24 Fiber Pigtail Cassette	Gray	200g	1
HDXSPLC20800	HI-DEX Splice LC SM Empty Cassette	Gray	175g	1
HDXSPAL20824	HI-DEX Splice LC SM APC 24 Fiber Pigtail Cassette	Gray	200g	1
HDXSPAL20800	HI-DEX Splice LC SM APC Empty Cassette	Gray	175g	1
HDXSPLCOM324	HI-DEX Splice LC OM3 24 Fiber Pigtail Cassette	Gray	200g	1
HDXSPLCOM300	HI-DEX Splice LC OM3 Empty Cassette	Gray	175g	1
HDXSPLCOM424	HI-DEX Splice LC OM4 24 Fiber Pigtail Cassette	Gray	200g	1
HDXSPLCOM400	HI-DEX Splice LC OM4 Empty Cassette	Gray	175g	1
HDXSPLCOM524	HI-DEX Splice LC OM5 24 Fiber Pigtail Cassette	Gray	200g	1
HDXSPLCOM500	HI-DEX Splice LC OM5 Empty Cassette	Gray	175g	1

“Leviton is dedicated to designing, developing, and manufacturing sustainable high-performance structured cabling and speciality cabling solutions.”

The information contained in this document is valid and correct at the time of issue. Leviton reserves the right to modify details without notice in light of subsequent standard/specification changes and ongoing technical developments.