

ST Fiber Adapters

APPLICATION

Leviton's ST simplex adapters are available with metal housing and a precision zirconia ceramic split sleeve for providing low loss fiber connections over high and low-temperature extremes. ST adapters are suitable for any data center, central office, MDU, CATV, or PON cabling installations using ST connectors.



SPECIFICATION

Single-mode and multimode ST adapters shall meet or exceed the requirements in TIA-568.3-D and TIA-604-2, FOCIS-2, GR-326, or IEC 61300-2. Adapters shall provide < 0.2 dB insertion loss and support an operational temperature range of -40 °C to +85 °C and come with a lock washer, hex nut, and red protective caps designating single-mode and black caps for multimode.

FEATURES

- Low insertion loss
- Dust protection caps as standard
- High repeatability and high thermal stability
- Metal construction
- Precision zirconia ceramic split sleeve

STANDARDS & REGULATIONS

- TIA-568.3-D
- TIA-604-2, FOCIS-2
- GR-326 or IEC 61300-2
- RoHS

OPTICAL SPECIFICATIONS

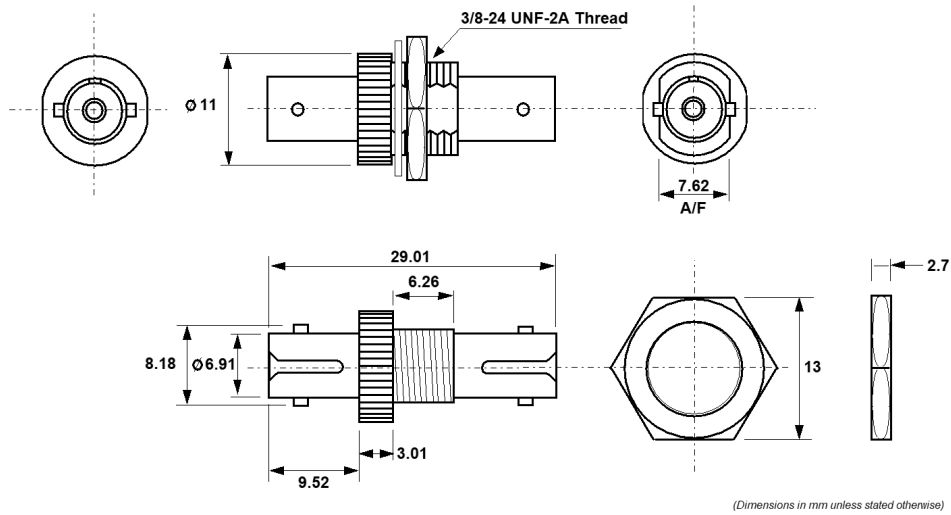
Insertion Loss Single-mode:	< 0.2 dB
Insertion Loss Multimode:	< 0.2 dB

SPECIFICATIONS

Operating Temperature:	-40 °C to +85 °C
------------------------	------------------

WARRANTY INFORMATION

For Leviton product warranties, go to leviton.com/warranty



ST FIBER ADAPTERS

Description	Part No.
ST Adapter, Single-mode, zirconia ceramic sleeve, red dust caps	BHCSTSM001
ST Adapter, Multimode, zirconia ceramic sleeve, black dust caps	BHCSTMM001

Note: Adapters are sold individually but with a minimum order quantity of 10 each.

For further support information, visit leviton.com/ns/support

NETWORK SOLUTIONS GLOBAL HEADQUARTERS

Bothell, WA, USA | leviton.com/ns
 (800) 824 3005 / +1 (425) 486 2222 | appeng@leviton.com

NETWORK SOLUTIONS EUROPEAN HEADQUARTERS

Glenrothes, UK | leviton.com/ns/emea
 +44 (0) 1592 772124 | customerserviceeu@leviton.com

Leviton is dedicated to designing, developing and manufacturing sustainable high-performance structured cabling and speciality cabling solutions. Network Solutions products are available worldwide in over 100 countries. Visit us online to learn more.