

PRODUCT SPECIFICATIONS

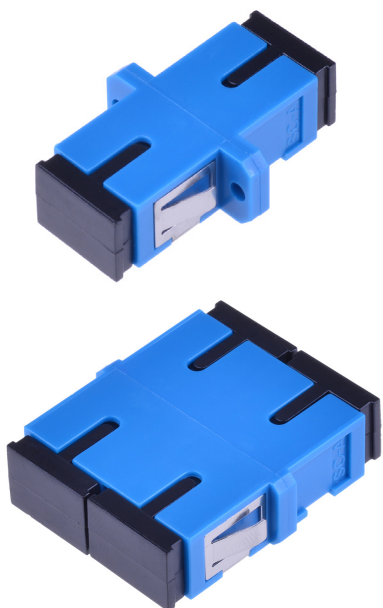
BHCSCxxxxx, BHCACxxxxx, BHDCDCxxxxx, BHCADxxxxx



SC Fiber Adapters

APPLICATION

Leviton's SC fiber adapters are constructed of engineered thermoplastic with precision zirconia ceramic split sleeves providing low loss fiber connections over high and low-temperature extremes. SC adapters are suitable for any data center, central office, MDU, CATV, or PON cabling installations using SC connectors. SC adapters are available with mounting flanges or flangeless for higher density applications.



FEATURES

- Low insertion loss
- High repeatability and high thermal stability
- Metal spring latch for panel retention
- Dust protection caps as standard
- Precision zirconia ceramic split sleeve

STANDARDS & REGULATIONS

- TIA-568.3-D
- TIA-604-3, FOCIS-3
- IEC61754-4
- GR-326 or IEC 61300 series
- RoHS

MECHANICAL SPECIFICATIONS

Insertion Loss Single-mode:	< 0.2 dB
Insertion Loss Multimode:	< 0.2 dB
Operating Temperature:	-40 °C to +85 °C
Weight Simplex:	5 grams
Weight Duplex:	9 grams

WARRANTY INFORMATION

For Leviton product warranties, go to leviton.com/warranty

SPECIFICATION

Single-mode and multimode SC adapters meet or exceed the requirements in TIA-568.3-D and TIA-604-3, FOCIS-3, GR-326, or IEC 61300. Adapters provide < 0.2 dB insertion loss and support an operational temperature range of -40 °C to +85 °C and come with protective caps.

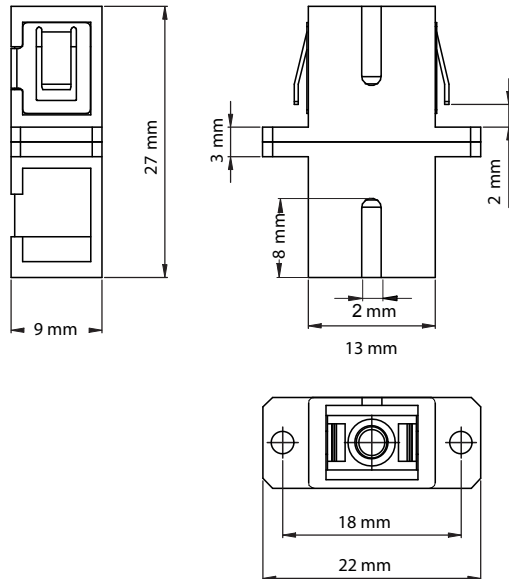
BHCSCxxxxx, BHCACxxxxx, BHDCDCxxxxx, BHCADxxxxx

PRODUCT SPECIFICATIONS

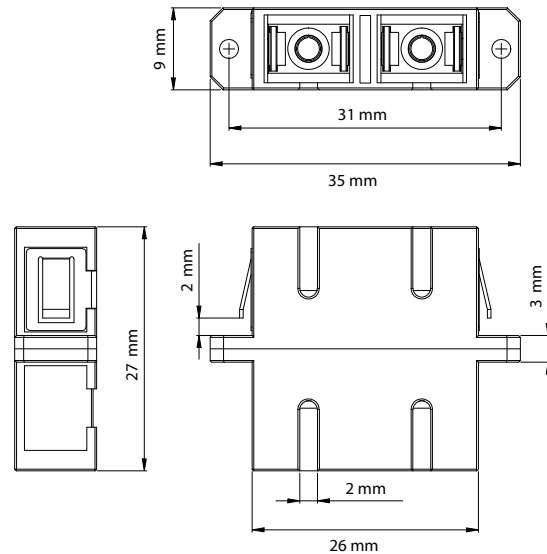
BHCSCxxxxx, BHCACxxxxx, BHDCDCxxxxx, BHCADxxxxx



SIMPLEX



DUPLEX



SC FIBER ADAPTERS (STOCK)

Description	Part No.
SC Simplex Adapter, multimode, zirconia ceramic sleeve, flanged, beige	BHCSCMM001
SC Simplex Adapter, multimode, zirconia ceramic sleeve, flanged, aqua	BHCSCMM051
SC Simplex Adapter, multimode, zirconia ceramic sleeve, flanged, heather violet	BHCSCMM071
SC Simplex Adapter, single-mode, zirconia ceramic sleeve, flanged, blue	BHCSCSM001
SC Simplex Adapter, APC, single-mode, zirconia ceramic sleeve, flanged, green	BHCACSM001
SC Simplex Adapter, APC, single-mode, zirconia ceramic sleeve, shuttered, flanged, green	BHCACSM101
SC Simplex Adapter, single-mode, zirconia ceramic sleeve, no flange, blue	BHCSCSM002
SC Duplex Adapter, multimode, zirconia ceramic sleeve, flanged, beige	BHDCM001
SC Duplex Adapter, multimode, zirconia ceramic sleeve, flanged, aqua	BHDCM051
SC Duplex Adapter, multimode, zirconia ceramic sleeve, flanged, heather violet	BHDCM071
SC Duplex Adapter, single-mode, zirconia ceramic sleeve, flanged, blue	BHDCSM001
SC Duplex APC Adapter, single-mode, zirconia ceramic sleeve, flanged, green	BHCADSM001

Note: Adapters are sold individually bagged with a minimum order quantity of 50.

For further support information, visit leviton.com/ns/support

NETWORK SOLUTIONS GLOBAL HEADQUARTERS

Bothell, WA, USA | leviton.com/ns
 (800) 824 3005 / +1 (425) 486 2222 | appeng@leviton.com

NETWORK SOLUTIONS EUROPEAN HEADQUARTERS

Glenrothes, UK | leviton.com/ns/emea
 +44 (0) 1592 772124 | customerserviceeu@leviton.com

Leviton is dedicated to designing, developing and manufacturing sustainable high-performance structured cabling and speciality cabling solutions. Network Solutions products are available worldwide in over 100 countries. Visit us online to learn more.