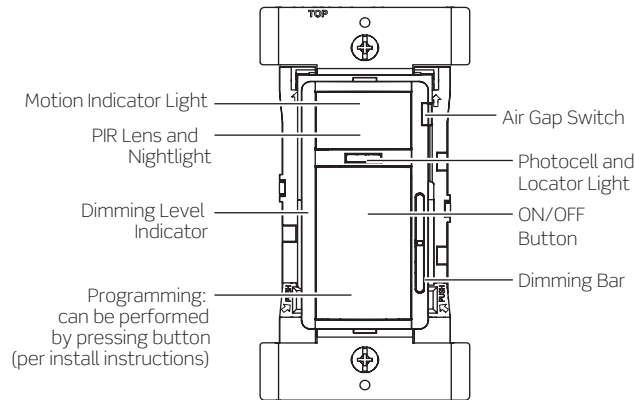
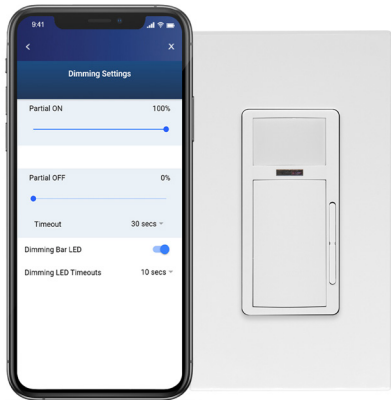


Smart PIR 1000W Dimming Wallbox Sensor



Description

The Leviton Smart Dimming Wallbox Sensor ODP10-I1x can easily switch and dim incandescent and dimmable LED or CFL bulbs while monitoring a room for occupancy using Passive Infrared (PIR) detection technology. A specialized lens divides the field-of-view into sensor zones. When a person passes in or out of a sensor zone the sensor detects motion and switches the lights ON. The lights will remain ON as long as an occupant moves through the sensor zones and until the timeout expires. The ODP10-I1x features a vacancy mode for Manual-ON/Auto-OFF operation, ideal for installations where manual-ON switching is required for energy code applications. Lighting levels can be adjusted using the dimming bar next to the switch.

A “minor motion” zone detects small body movements. This detection allows the lights to remain ON when individuals in the space are more stationary. The “major motion” zone exhibits a lesser degree of sensitivity requiring larger movements.

Configuration of ODP10-I1x is made using the Leviton Smart Sensor App from a smartphone or other Bluetooth® enabled Android or iOS device. Simple configuration can also be applied using pushbutton setup for several common pre-configured options. The ODP10-I1x integrates a photocell for daylighting hold-OFF which can be programmed using the Leviton Smart Sensor App.

Applications

- Offices
- Lobbies
- Small meeting rooms
- Retrofit applications

Features

- Meets NEMA SSL 7A Dimmer Compliance
- Controls LED lighting loads up to 1000W
- One relay module for single-level switching
- 180° field-of-view provides approximately 1,100 square feet of coverage
- Maximum sensing distance in front of the sensor is 30-40 feet and 15-20 feet on either side

Features (continued)

- Latest PIR technology accurately detects minor motion up to 400sq ft and major motion up to 1,100 sq ft
- Easy access Air Gap switch when replacing lamp(s)
- Tamper resistant PIR lens
- Can be used to comply with ASHRAE 90.1, IECC and 2019 Title 24, Part 6 occupancy/vacancy sensing, dimming, and manual-ON/auto-OFF requirements
- Integrated photocell for daylighting hold-OFF
- Use the Leviton Push to Pair (P2P) process to create a multi-way system for up to 5 devices
- Advanced configuration can be performed using the Leviton Smart Sensor App on any Bluetooth enabled Android or iOS device:
 - Set the operating mode for Occupancy (auto-ON/auto-OFF) or Vacancy (manual-ON/auto-OFF)
 - Adjust sensitivity and timeouts
 - Set up partial-ON and partial-OFF levels and partial-OFF timeouts
 - Enable the integrated photocell for daylighting hold-OFF and select target daylighting hold-OFF levels
 - Activate the nightlight and select nightlight colors
 - Set a security code to lock configuration settings
- Out-of-the-box configuration default mode:
 - Auto-ON/auto-OFF with 10-minute time out
 - Sensitivity set to 75%
 - Nightlight and daylighting disabled
- Convenient pushbutton hold configuration for installers—no smart device needed*:

Pushbutton Hold Configuration

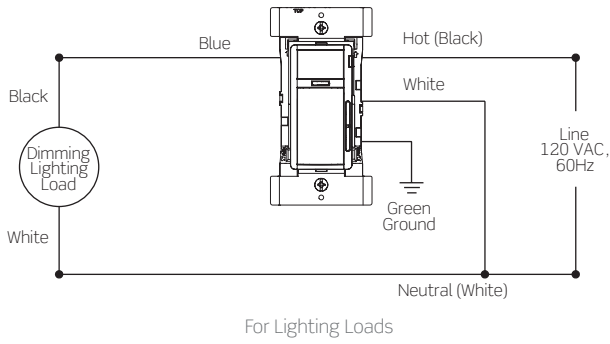
Button (#)	Operating Mode	Sensitivity (%)	Time Out (mins)
1	Auto-ON/ Auto-OFF	75	10
2			20
3		100	10
4			20
5	Manual-ON/ Auto-OFF	75	10
6			20
7		100	10
8			20

*Requires removal of front face cover

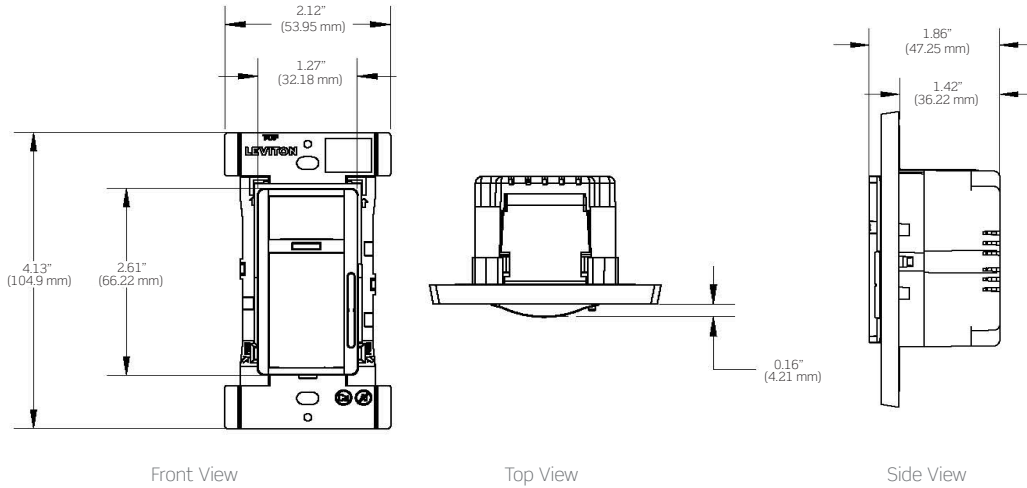
Product Data

ODP10-11x

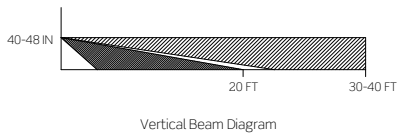
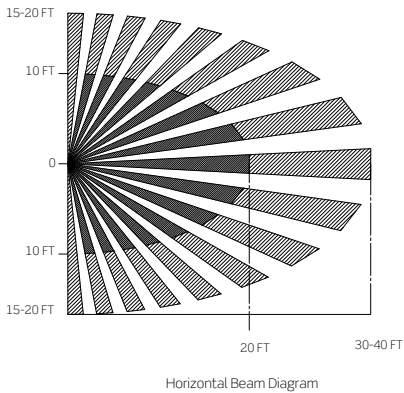
Wiring Diagrams




Dimensions Diagram



Field of View Diagram



-  Major motion coverage 1100ft² (102m²)
-  Minor motion coverage 400ft² (37.2m²)

Specifications

Electrical			
Input Voltage/Frequency	120VAC, 60Hz		
Input Current	120V		
	Standby: 0.2W; Max: 0.5W+Load Current		
Load Ratings	Single	Two Devices*	More Than Two Devices*
LED, CFL, Electronic Ballasts @ 120V	1000W	680W	600W
Magnetic Ballasts @ 120V			
Resistive, Tungsten @ 120V			
Motor @ 120V	Not rated for use		
IP Rating	IP10		
Network Connections	BLE 4.2, BLE 5.0		
Environmental			
Operating Temperature	32 to 104°F (0 to 40°C)		
Storage Temperature	-40 to 185°F (-40 to 85°C)		
Physical			
Dimensions	4.13" x 2.12" x 1.86" (104.90mm x 53.95mm x 47.25mm)		
Other			
Energy Codes	Can be used to comply with ASHRAE 90.1, IECC and 2019 Title 24, Part 6 occupancy/vacancy sensing, dimming, and manual-ON/auto-OFF requirements		
Listings	IECC, UL and cUL Listed		
Certifications	FCC, IC		
Warranty	5-Year Limited		

*For multi-gang devices mounted side by side

Ordering Information

Smart Wallbox Sensors	
Cat. No.	Description
ODP10-H1W	Smart PIR 1000W Dimming Wallbox Sensor, App configurable; Auto-ON/Auto-OFF or Manual-ON/Auto-OFF, neutral wire required, 120VAC, 50/60Hz, White
ODP10-H1I	Smart PIR 1000W Dimming Wallbox Sensor, App configurable; Auto-ON/Auto-OFF or Manual-ON/Auto-OFF, neutral wire required, 120VAC, 50/60Hz, Ivory

Leviton Manufacturing Co., Inc. Lighting & Controls

20497 SW Teton Avenue, Tualatin, OR 97062 **tel** 800-736-6682 **tech line** (6:00AM-4:00PM PT Mon-Fri) 800-959-6004

Leviton Manufacturing Co., Inc. Global Headquarters

201 North Service Road, Melville, NY 11747-3138 **tel** 800-323-8920 **tech line** (8:30AM-7:00PM ET Mon-Fri) 800-824-3005

Visit our Website at: www.leviton.com/smartsensors

©2022 Leviton Manufacturing Co., Inc. All rights reserved. Subject to change without notice.