

Smart IP66 PIR Integrated Fixture Mount Sensors with Bluetooth™ Connectivity and UV Stable Plastic



Description

The Leviton Smart IP66 Passive Infrared (PIR) Integrated Fixture Mount Sensors are designed for use with switching or 0-10V LED dimming drivers, and fluorescent ballasts. The sensors use PIR detection technology and advanced optics to provide an exceptional Field-of-View (FOV) for mounting heights from 8-40 ft.

The sensors detect motion and turn lights ON when an occupant passes in or out of a sensor zone. The lights remain ON as long as the occupant moves through the sensor zones and after throughout the timeout period. The sensor uses a minor motion feature to detects small body movements which allows the lights to stay ON when individuals in the space are nearly stationary. The major motion feature exhibits a lesser degree of sensitivity requiring larger movements.

Configuration is made using the Leviton Smart Sensor App from a smartphone or other Bluetooth®-enabled Android or iOS device.

Applications

- Warehouses
- Loading bays
- Outdoor lighting
- Parking garages
- Gymnasiums
- Libraries
- High-bay applications

Features

- Can be used to comply with IECC, ASHRAE 90.1, and 2022 Title 24, Part 6 occupancy/vacancy sensing and dimming requirements
- IP66 rated (when installed in an appropriate IP66 rated enclosure/fixture)
- 120-277V Models
 - 120-277VAC 1-pole
- Universal voltage models
 - 120-347VAC 1-pole
 - 208-480VAC 2-pole
- ioXt Certified Models:
 - OFD1Z-ISW
 - OFDUZ-ISW
 - ZLD1Z-IOW
 - ZLDUZ-IOW

Features, cont'd

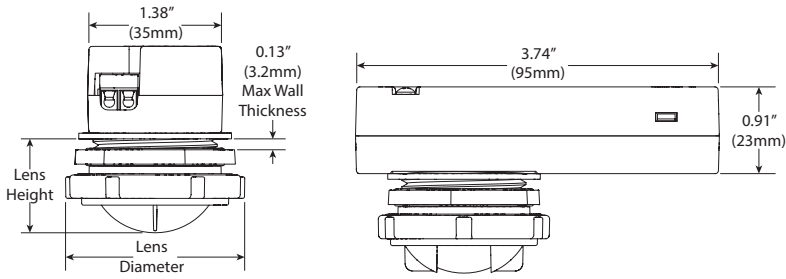
- Mesh grouping
 - 16 devices per group
 - Max distance of 50' sensor to sensor
 - Max distance of 150' from first sensor to last sensor (must have line-of-sight and no interference)
 - Occupancy
 - Daylighting
- Scheduling - Universal voltage models only
 - Weekly scheduling
 - Time clock or astronomical clock
 - Change level, operating mode, daylight mode
 - Models without the integral scheduling feature can be part of a group with scheduling
 - Controls LED lighting loads up to 6.7A
- Single-level switching
- Occupancy mode:
 - Disabled (Photocell only)
 - Auto-ON/Auto-OFF
- 360° field-of-view provides up to 8,250 square feet of coverage
 - 8-20 ft. and 20-40 ft. lenses plus aisle way masks included
- Daylight control modes:
 - Disabled
 - Ambient light hold OFF (switching)
 - Daylight harvesting (0-10V continuous dimming)
 - Daylight Transition Lighting (reverse daylight harvesting)
- Out-of-the-box configuration default mode:
 - Auto-ON/Auto-OFF with 20-minute timeout
 - Sensitivity set to high
 - Daylight harvesting enabled with auto calibration enabled
- Advanced configuration is made using the Leviton Smart Sensor App on any Bluetooth-enabled Android or iOS device:
 - Adjust the sensitivity of the sensor to increase or decrease coverage area
 - Adjust timeouts
 - Set and configure daylight mode
 - Auto and manual calibration
 - Set a security code to lock configuration settings
 - Configure dimming options such as high and low trim, partial-OFF, and partial-OFF timeouts

Leviton Manufacturing Co., Inc. Global Headquarters

201 North Service Road, Melville, NY 11747-3138 **tel** 800-323-8920 **tech line** (8:00AM-10:00PM ET Mon-Fri, 9:00AM-7:00PM ET Sat, 9:00AM-5:00PM ET Sun) 800-824-3005

©2023 Leviton Manufacturing Co., Inc. All rights reserved. Subject to change without notice.

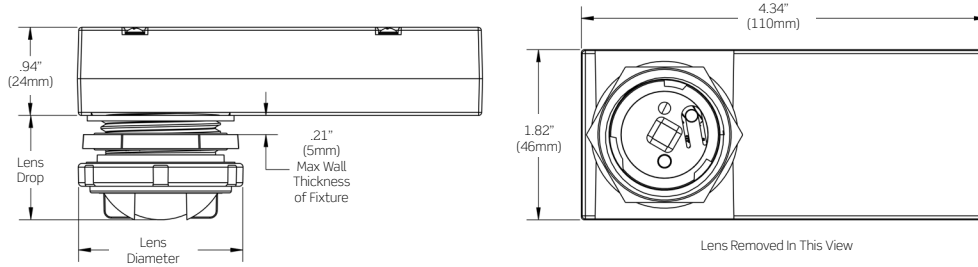
Dimensions Diagram ZLD1Z



Lens Dimensions

	Low Bay Lens	High Bay Lens
Lens Diameter	1.84" (46.7mm)	2.86" (72.6mm)
Lens Height	1.08" (27mm)	1.45" (36.8mm)

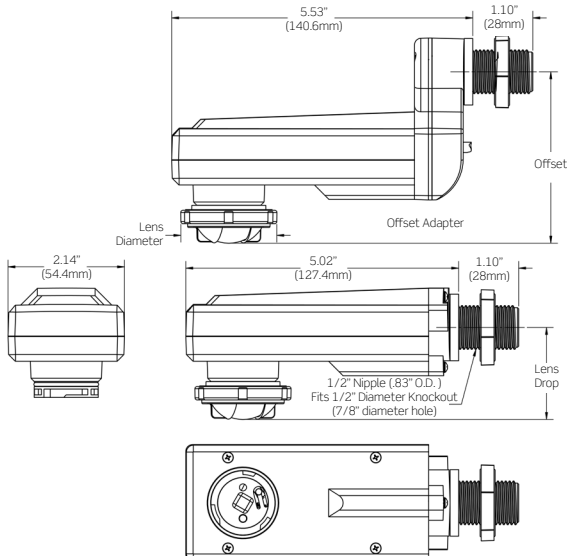
Dimensions Diagram ZLDUZ



Lens Dimensions

	Low Bay Lens	High Bay Lens
Lens Diameter	1.84" (46.7mm)	2.86" (72.6mm)
Lens Height	1.17" (39.1mm)	1.54" (39.1mm)

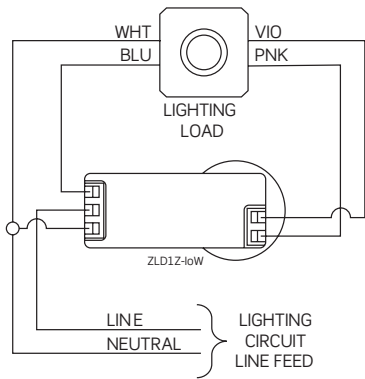
Dimensions Diagram OFD1Z and OFDUZ



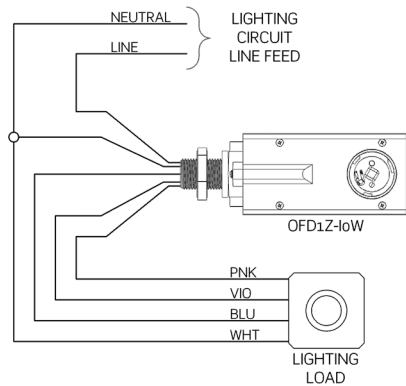
Lens Dimensions

	Low Bay Lens	High Bay Lens
Lens Diameter	1.84" (46.7mm)	2.86" (72.6mm)
Lens Drop Straight Adapter	1.69" (42.9mm)	2.06" (52.3mm)
Lens Drop Offset Adapter	3.14" (79.9mm)	3.51" (89.3mm)

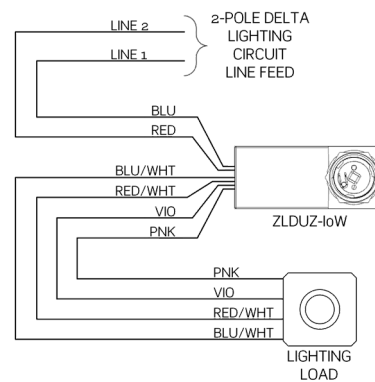
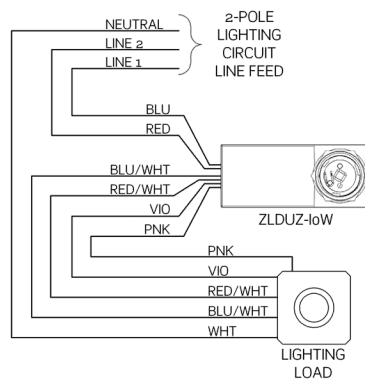
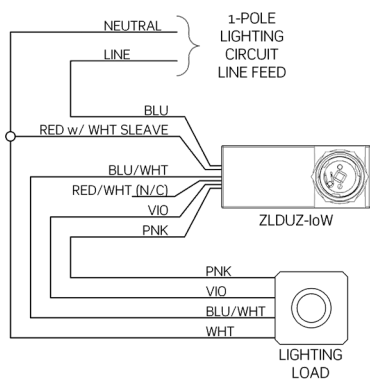
Wiring Diagrams ZLD1Z



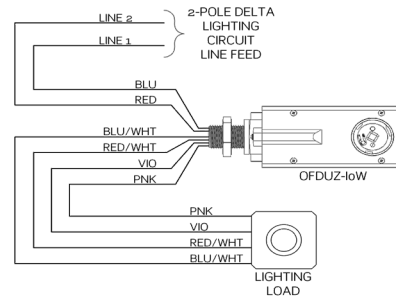
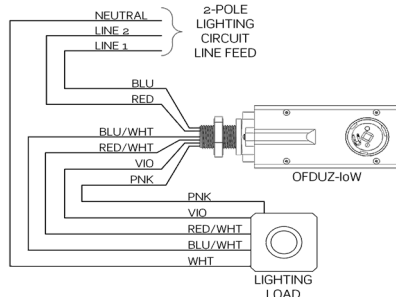
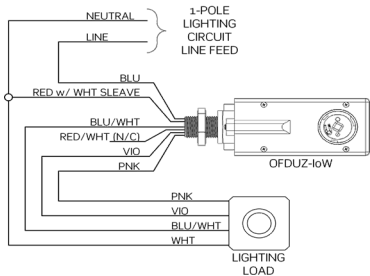
Wiring Diagram OFD1Z



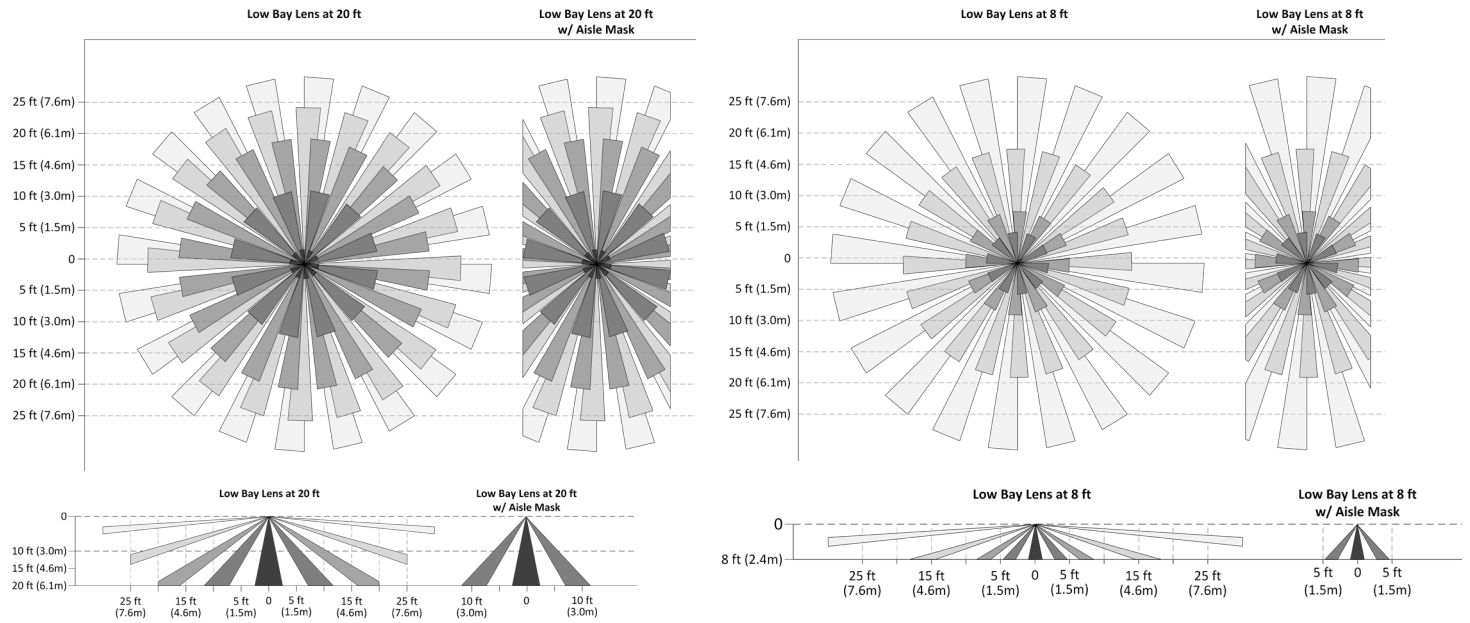
Wiring Diagrams ZLDUZ



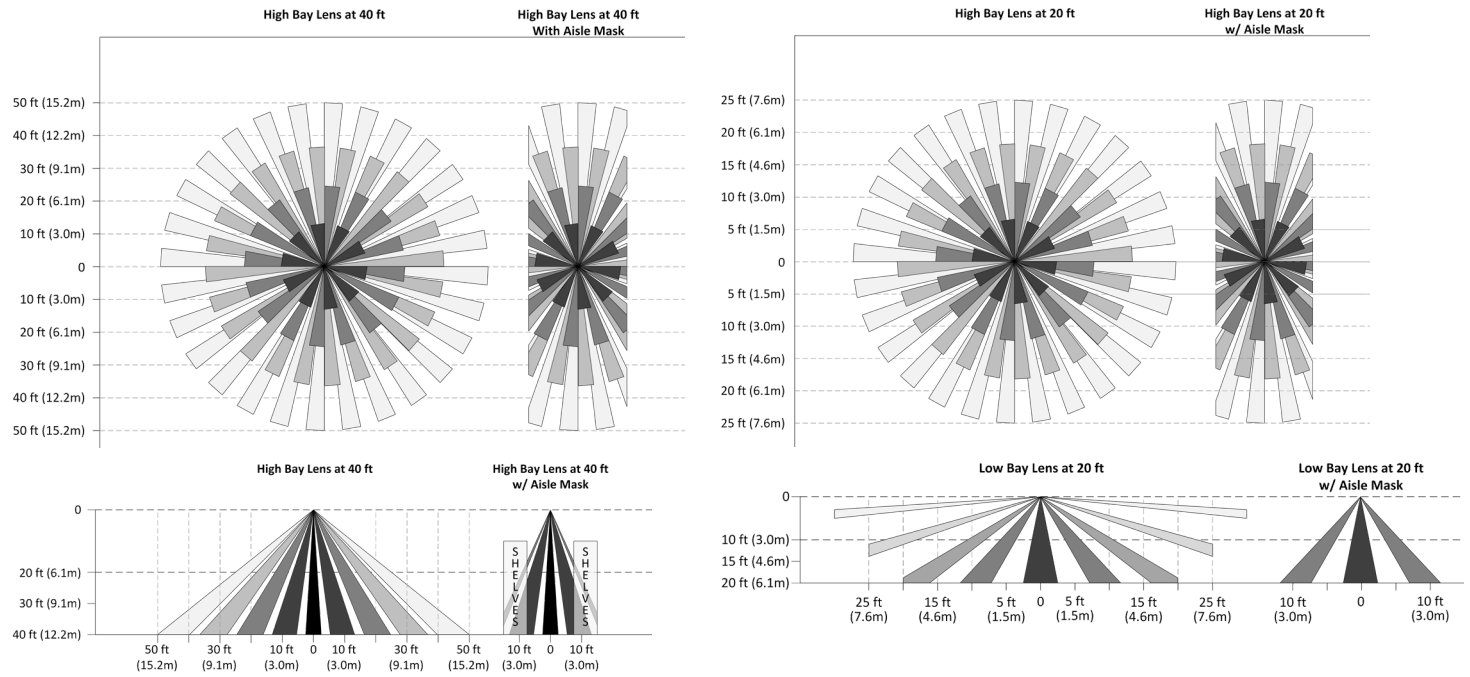
Wiring Diagram OFDUZ



Field of View Diagrams—Low Bay Lens



Field of View Diagrams—High Bay Lens



Mounting Height (Ft.)	Field of View Lens	Major (Sq.Ft.)	Minor (Sq.Ft.)
8	Low Bay	2050	900
15		1750	750
20		1850	350
20	High Bay	2300	1050
30		5300	800
40		8250	550

Specifications

Electrical	ZLD1Z	OFD1Z	OFDUZ	ZLDUZ
Input Voltage Frequency	120-277 VAC, 50/60 Hz		120-480VAC	
Input Current				
Max	15mA			
Standby	5mA			
Load Ratings - All Load Types				
120 VAC (1-Pole)	6.7A (800W)			
208 VAC (2-Pole)	—	5.0A (1150W)		
230 VAC (1-Pole)	5.0A (1150W)			
240 VAC (2-Pole)	—	5.0A (1200W)		
277 VAC (1-Pole)	5.0A (1400W)			
347 VAC (1-Pole)	—	5.0A (1700W)		
480 VAC (2-Pole)	—	5.0A (2400W)		
Motor 120-480 VAC	1/3 HP			
0-10V Dimming Control	50 mA (Sinking)			
Wire Lead Length	Terminals	30 Inches (762mm)		
Environmental				
Operating Temperature	-40° to 167° F (-40° to 75° C)			
Storage Temperature	-40° to 185° F (-40° to 85° C)			
Relative Humidity	0% to 90% RH, non-condensing			
Rating	IP66 (Type 3R)			
Pollution Degree	2			
Other				
Certifications	ioXT			
Energy Codes	Can be used to comply with IECC, ASHRAE 90.1, and 2022 Title 24, Part 6 occupancy/vacancy sensing and dimming requirements			
Dimensions	Width: 1.39" (35.3 mm) Length: 3.75" (95.3 mm) Depth: 0.91" (23 mm)	Width: 2.14" (54.4 mm) Length: 6.12-6.63" (155.4-168.6 mm) Depth: 1.61" (41.0 mm)	Width: 2.14" (54.4 mm) Length: 6.12-6.63" (155.4-168.6 mm) Depth: 1.61" (41.0 mm)	Width: 1.80" (46.0 mm) Length: 3.80" (96.5 mm) Depth: 0.94" (24.0 mm)

Ordering Information

Smart IP66 PIR Integrated Fixture Mount Sensor

Cat. No.	Description
ZLD1Z-I0W	Dimming Daylight Harvesting PIR Occupancy Sensor; Internal Fixture Mount; 120-277VAC 50/60 Hz; IP66 Rating for High and Low-Temp, Water Tight, Indoor/Outdoor; Single Zone 0-10V Dimming, 120-277VAC single-pole 5A relay; 8-20' Lens and 20-40' lens included, bulk pack, 25/case
ZLDUZ-I0W	Dimming Daylight Harvesting PIR Occupancy Sensor; Internal Fixture Mount; Universal Voltage 120-480VAC 50/60 Hz; IP66 Rating for High and Low-Temp, Water Tight, Indoor/Outdoor; Single Zone 0-10V Dimming, 120-347VAC 2-pole 5A relay; 8-20' Lens and 20-40' lens included, bulk pack, 25/case
OFD1Z-I0W	Dimming Daylight Harvesting PIR Occupancy Sensor; End/Fixture Mount; 120-277VAC 50/60 Hz; IP66 Rating for High and Low-Temp, Water Tight, Indoor/Outdoor; Single Zone 0-10V Dimming, 120-277VAC single-pole 5A relay; 8-20' Lens and 20-40' lens included, bulk pack, 25/case
OFD1Z-ISW	Dimming Daylight Harvesting PIR Occupancy Sensor; End/Fixture Mount; 120-277VAC 50/60 Hz; IP66 Rating for High and Low-Temp, Water Tight, Indoor/Outdoor; Single Zone 0-10V Dimming, 120-277VAC single-pole 5A relay; 8-20' Lens and 20-40' lens included, individually boxed
OFDUZ-I0W	Dimming Daylight Harvesting PIR Occupancy Sensor; End/Fixture Mount; Universal Voltage 120-480VAC 50/60 Hz; IP66 Rating for High and Low-Temp, Water Tight, Indoor/Outdoor; Single Zone 0-10V Dimming, 120-347VAC 2-pole 5A relay; 8-20' Lens and 20-40' lens included, bulk pack, 25/case
OFDUZ-ISW	Dimming Daylight Harvesting PIR Occupancy Sensor; End/Fixture Mount; Universal Voltage 120-480VAC 50/60 Hz; IP66 Rating for High and Low-Temp, Water Tight, Indoor/Outdoor; Single Zone 0-10V Dimming, 120-347VAC 2-pole 5A relay; 8-20' Lens and 20-40' lens included, individually boxed

Leviton Manufacturing Co., Inc. Lighting & Controls

10385 SW Avery Street, Tualatin, OR 97062 **tel** 800-736-6682 **tech line** (6:00AM-4:00PM PT Mon-Fri) 800-959-6004

Leviton Manufacturing Co., Inc. Global Headquarters

201 North Service Road, Melville, NY 11747-3138 **tel** 800-323-8920 **tech line** (8:00AM-10:00PM ET Mon-Fri, 9:00AM-7:00PM ET Sat, 9:00AM-5:00PM ET Sun) 800-824-3005

Visit our Website at: www.leviton.com/integratedcontrols

©2023 Leviton Manufacturing Co., Inc. All rights reserved. Subject to change without notice.

LES-G-10602D/H23-aa
REV AUG 2023